

SYSCROLL 240-660 AIR

Air Cooled Water Chillers Cooling Only, Heat Pump and Total Heat Recovery
Engineering Data Manual



238 to 654 kW



256 to 679 kW



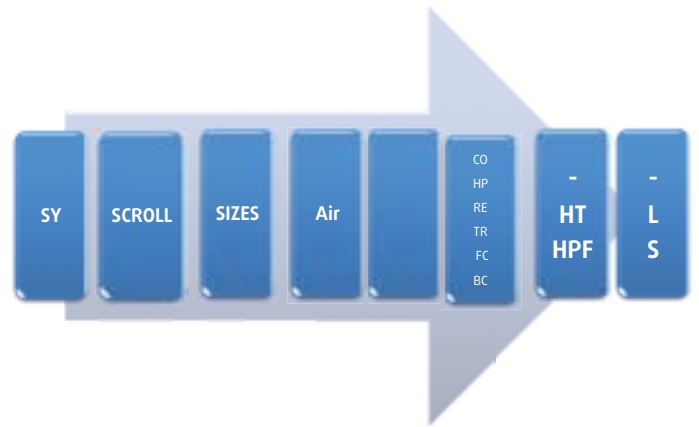
Key point

General

SYSCROLL AIR have been designed and optimized to work with R410A refrigerant. As near azeotropic mixture it behaves like a homogeneous substance (reduced service problems in case of leakage or re-charge) with negligible temperature glide.

- Units with high seasonal performances (ESEER up to 4.1).
- With except for the fans, all the versions keep the same configuration of the base units (same structure, electrical board, compressors and coils).
Easy upgrade of the units in stock or on the field.
- Electronic expansion devices on all units: superheating value controlled by microprocessor, simple and accessible refrigeration system especially for heat pump versions with reduction of brazing points and than possible leakage.
- New Microchannel coils for Cooling only version.
- Compressors box (less sound proofing) always installed - additional compressors jackets only for S version (easy upgrade of the units in stock).
- High Temperature Version (HT) developed for high ambient temperature but also providing high seasonal efficiency (ESEER higher than and high operation limits with inverter fans (electronic brushless type motor).
- Special version (HPF) for high external static pressure (max. 120 Pa) with inverter fans (electronic brushless type motor).
- New microprocessor: 4 times greater RAM memory compared with previous version, flash memory card and compressors envelope curves put inside, 3 times faster than previous control.
- Hydro kits with or without buffer tank (500 l from 240 to 320 size, 700 l from 360 to 420 size, 1.000 l from 470 to 660 size).
One or two water pumps are available: standard pressure (100 kPa) or high pressure (200 kPa). The water pump has a sound proof box for S version.
- For service operation, special valves dedicated to R410A are supplied on the refrigerant system. These valves, of 5/16" flare SAE type, are mounted on the liquid line, discharge, suction line and on the gauges manifold of the unit.

Specifications



CO = Cooling Only; HP = Heat Pump; RE = Remote Evaporator; TR = Total Heat Recovery; FC = Freecooling; BC = Brine for Process Cooling Application.

General

The new SYSCROLL AIR units have been designed to operate with HFC 410A refrigerant. Both compressors and heat exchangers (plate heat exchanger and coils) have been optimized for this refrigerant.

They consist of two independent refrigerant circuits, with asymmetric combination of scroll compressors installed in single, tandem or trio lay-out depending on the size, a "True Dual" two-circuit plate heat exchanger and a ventilating unit comprising V-shape coils and quiet fans; each of them is located in an externally mounted nozzle profile housing generating low sound level.

SYSCROLL AIR CO units are available in 10 sizes, with a nominal capacity range from 238 to 654 kW.

SYSCROLL AIR HP units are available in 10 sizes, with a nominal capacity range from 216 to 581 kW in cooling mode and from 256 to 679 kW in heating mode.

The SYSCROLL AIR (Standard) version can be supplied with 3 acoustic options:

- **Basic Low Noise (-):** The units are equipped with delta connected fans implying a standard rpm. The chillers are not supplied with fan speed controller, but fitted with compressors box to reduce the noise emissions.
- **Low Noise (L):** The units are equipped with star connected fans implying a low rpm. The chillers are not supplied with fan speed controller, but fitted with compressors box to reduce the noise emissions.
- **Super Low Noise (S):** The units are equipped with star connected fans, fitted with a speed controller which allows the units to operate with a very low rpm. The chillers are supplied with compressors box and soundproof jackets on compressors reducing significantly the noise emissions.

To increase their field of applications, the SYSCROLL AIR ranges are available in 2 additional versions:

- **HT (High Temperature) version:** It has same equipment as Basic version, but the units are fitted with special inverter fans and motors to ensure low energy consumption and to operate on a wider envelope. HT version can be supplied with BLN acoustic option only.
- **HPF (High Pressure Fans) version:** It has same equipment as that of BLN units, except that the units are equipped with special inverter fans (same as those used on HT version, but with a different regulation) driven by EC motors with integrated electronic inverter. HPF version provides external static pressure up to 120 Pa. This version can be supplied with BLN acoustic option only.

In addition, 2 heat recovery options are available:

- **Desuperheater:** All the versions can be supplied with plate type heat exchangers fitted, one on each refrigerant circuit, on the compressor discharge line to recover about 20 % of the total heat rejected to the condensers.
- **Totally Heat Recover (TR version):** All the versions of the cooling only units can be supplied with a double circuit plate type heat exchanger to recover 100 % of heat rejection by the condensers. 4-way valves and a field installed control sensor are also provided to ensure the cooling/heat recovery mode changeover.

Conformity with standards

The following applies to all the sizes and versions:

- Machine Directive: 2006/42/EC
- Electromagnetic Compatibility Directive: 2014/30/EU
- Pressure Equipment Directive: 2014/68/EU
- Ecodesign Directive: 2009/125/EC

Cabinet and structure

The unit cabinet and structure are made of heavy gauge galvanized steel coated with polyester powder based painting (RAL 7040). All parts of the structure are fastened totally with non-corrosive screws and bolts.

Compressors

Each unit is equipped with three, four, five or six compressors arranged in two refrigerant circuits.

Compressors are of hermetic scroll type and fitted with an electronic control system ensuring protection against high temperature and excessive load.

All compressors have direct-on-line starting and are mounted on rubber vibration isolators in order to minimize noise and vibration transmission.

Evaporator

Evaporators is of a brazed stainless steel plate type heat exchanger.

It is insulated with a 19 mm thick closed cell polyethylene foam material and is fitted with a film type electric heater on the external surface to prevent the unit from freezing at a low temperature (down to -18 °C) when the unit is off. Water connections are of a Male GAS Threaded type: 3" on sizes 240 to 320 and Victaulic type: 4" on sizes 360 to 540, 5" on sizes 590 to 660.

Condenser coils

The condenser coils are made of seamless copper tubes, arranged in staggered rows, mechanically expanded into corrugated aluminum fins.

For Cooling only version (CO version). Condenser coils are of microchannel type, made of 100% aluminium (fins, tubes and headers) with the exception of pipe couplings which are in copper. Ecoating for Microchannel and AL/CU is standard.

Condenser fans

For each size, all versions keep the same number of fans. Large diameter, direct drive axial type fans with asynchronous three-phase motors are used in all acoustic versions (-,L,S version) of SYSCROLL 240-660 Air.

Special inverter fans with electronic brushless type motors are used in SYSCROLL 240-660 Air HT and HPF.

On high pressure fans of HPF units, the external static pressure (≤ 120 Pa) can be adjusted on site to match the customer demand directly from the electronic control panel of the unit.

Fans are equipped with externally mounted nozzle profile housing which generates low sound levels.

Fan speed control

The speed of fans is controlled in order to operate at a low ambient temperature.

On units with standard axial fans, the accessory fan speed control, supplied as standard on S version, is of a pressure

actuated stepless type with an electronic controller.

The pressure actuated stepless type fan speed controller can be supplied as optional on - and L versions. It allows the units to operate in cooling mode at ambient temperature down to -14 °C.

On HT and HPF units with electronic axial fans, the pressure actuated stepless type fan speed control is supplied as standard, because these electronic fans are already equipped with an integrated fan speed control (fan speed range: 50 to 1200 rpm; ambient temperature limit: -18 °C (in cooling mode only).

Refrigerant circuits

All the units are composed of two independent and separate refrigerant circuits.

Each refrigerant circuit is equipped with liquid line and discharge line shutoff valves, filter-drier with solid core, sight glass and [electronic expansion valve \(EXV\)](#).

Heat pump units (HP) are provided with 4-way reversing valves, suction accumulators and liquid receivers on the liquid lines.

Total heat recovery units (TR) are supplied with 4-way reversing valves and liquid receivers downstream of the heat recovery condenser.

The functional diagram of each circuit is shown in the section "Refrigerant flow diagram".

Electrical board

Metal case, externally arranged at one end of the unit. Case for the board with IP44 protection rating, complete with grille for natural air ventilation of the box.

Control and safety devices

Each unit is fitted with the following devices:

Safety:

- Power disconnect switch with an emergency stop function.
- HP switches, set to 40.5 bar, automatic and manual reset to be reinitialized from the control panel.
- Water differential pressure switch on the evaporator, set to 105 mbar (corresponding to about 50 % of the nominal capacity).
- Antifreeze temperature sensor (set to +4 °C) on the evaporator.
- Safety valve on discharge lines (for each evaporator), set to 45 bar.

Control:

- HP and LP transducers (each circuit).
- Evaporator water inlet temperature sensor.
- Evaporator water outlet temperature sensor (with an antifreeze function).
- Suction temperature sensor for EXV control.
- Ambient air temperature sensor.
- Coil temperature sensors.
- Heat recovery condenser temperature sensor (TR only).

Electronic control

Units are supplied with the new microprocessor-based electronic control and management system ensuring the following functions:

- Management of the operation of compressors:
 - Power on/off
 - Anticycle management
 - Tandem unloading for high pressure or high compressor pressure ratio (integrated inside the curves of compressor operating limits).
- Chilled and hot water temperature regulation (control option on inlet water temperature RWT (P+I type) or outlet water temperature LWT (neutral band type) of the evaporator).
- Control of superheating on suction line.
- Evaporator antifreeze protection.
- Heat pump defrost control for automatic operation.
- Management of high and low pressure alarms.
- Management of the electronic expansion valves by means of EXV controller allowing optimized functions: cooling, heating, start-up and defrost.
- Management of external interlocks.
- Management of the remote control:
 - Unit power on/off
 - Summary alarm signals
- Remote signalling, by dry contacts:
 - Voltage presence
 - Compressors in operation
 - General Alarm
- Management of the hydro kit: start-up of pump, antifreeze heater of external tank.
- Management of the heat recovery mode by means of inlet water temperature sensor at the heat recovery condenser.

The unit controller can also clearly show all control parameters of the machine on the liquid crystal display, such as:

- Display of superheating value.
- Display of the temperature at the evaporator inlet and outlet.
- Display of the ambient air temperature.
- Display of the circuit 1 and circuit 2 discharge pressure and suction pressure.
- Display of the set point.
- Display of the various alarm and operation status:
 - Low / High pressure
 - Evaporator antifreeze
 - Flow switch signal for lack of water
 - Control of the compressor operating hours
 - Compressors in operation
 - Pump in operation and operating hours
 - Thermal protection of compressors
 - Thermal protection of fans
 - Faulty sensors

Standard equipment

- Set point timer/clock card.
- Pressure actuated fan speed control.
- Back light display.
- Digital pressure and temperature reading kit.
- High ambient pressure control.
- Sequence phase control.
- Electronic expansion valves.
- Control circuit transformer 400 V/230 V.
- Data logger.
- Power supply without neutral.
- Hour meter.
- Main switch.
- Refrigerant R410A.
- PED approval.
- Evaporator antifreeze electric heater.
- Compressor jacket (standard on S version).
- Compressor box.
- Water pump acoustic box (as standard on S version).
- Water differential pressure switch.
- Antifreeze electric heater for hydraulic manifolds (brine application).

Optional hydro kits

On board mounted inside and remote hydrokits are available as optional. The on board hydro kits can be supplied with or without buffer tank while remote hydro kits (supplied loose for field installation) are always provided with internal tank.

- The on board hydro kit without buffer tank has the following components:
 - Single or double pump with low static pressure (100 kPa) or high static pressure (200 kPa),
 - Expansion tank (18 litres for all models),
 - Shut-off valves,
 - Safety valve,
 - Automatic air vent valve,
 - Thermal insulation for pipes and water pump(s),

Water pumps are supplied with sound-proof box for units in S version. On board hydro kit without buffer tank are available also for TR units.

- On board hydro kit with buffer tank has the following components:
 - Single or double pump with low static pressure (100 kPa) or high static pressure (200 kPa),
 - Buffer tank (500 l from 240 to 320 size, 700 l from 360 to 420 size, 1.000 l from 470 to 660 size),
 - Expansion tank (18 litres for all models),
 - Shut-off valves,
 - Safety valve,
 - Automatic air vent valve,
 - Thermal insulation for pipes and water pump(s),
 - Electrical box,
 - Antifreeze electric heater inside buffer tank (electric heater for pipes is not supplied).

Factory installed options

- ModBus protocol kit for BMS (as standard).
- Lonwork protocol kit for BMS.
- Bacnet protocol kit for BMS.
- Compressors soft starter.
- Pressure actuated stepless fan speed controller for low ambient operation (-14 °C).
- Double set point.
- Power factor correction capacitors.
- Compressors overload protection.
- GSM.
- HP & LP manometers.
- Ecoating for AL/CU.
- Blue fins treatment for AL/CU (standard for Polar version).
- Condenser coils with copper fins.
- Chiller grilles.
- Total heat recovery (TR).
- Desuperheater.
- On board hydro kits 1P/2P with/without tank.

Field-installed accessories

- Remote ON/OFF control.
- Remote keyboard panel.
- Master and slaves control, up to 4 units max.
- Spring anti-vibration.
- Flow switch.
- Water filter.
- Remote hydro kits with buffer tank, 1 or 2 low or high pressure pump(s), relevant accessories and with or without antifreeze heater:
 - 500 l: sizes 240-320.
 - 700 l: sizes 360-420.
 - 1.000 l: sizes 470-660.

Accessories & Options

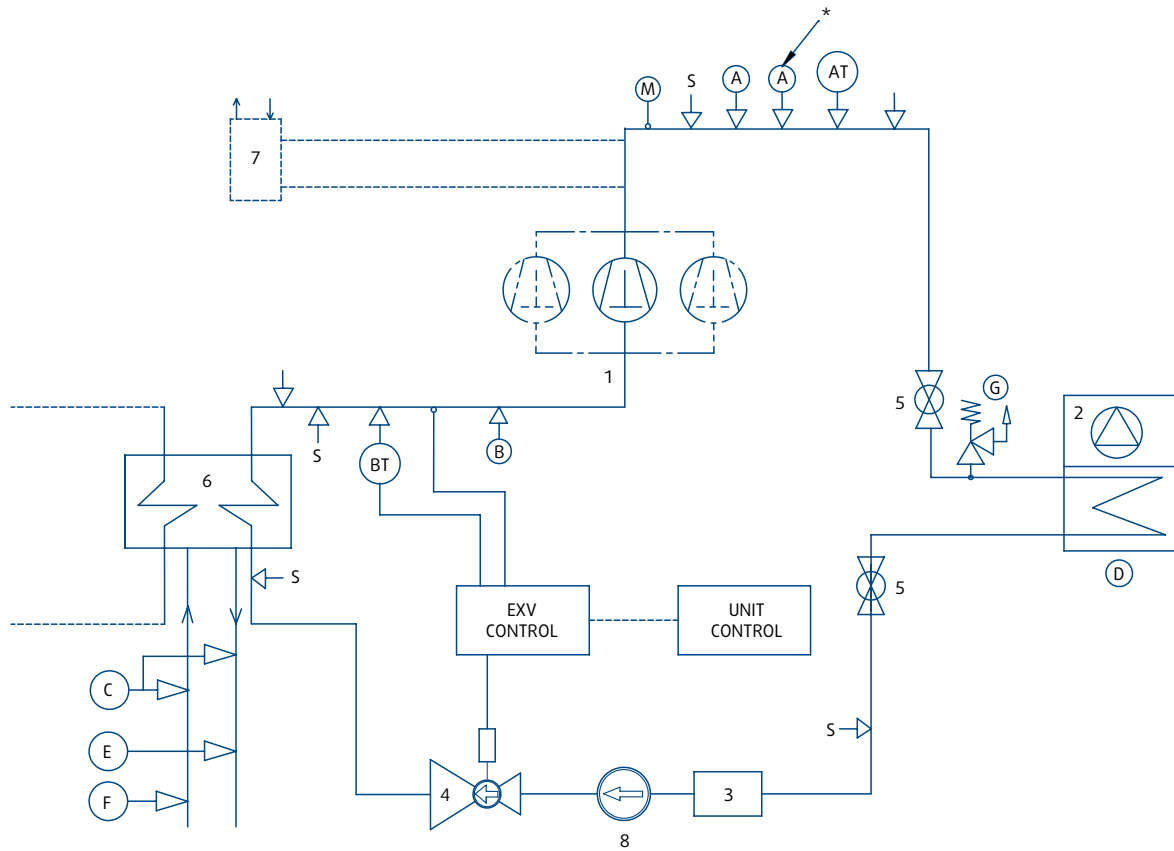
SYSCROLL AIR	Delivery	Abbreviation	Description & Benefit
Set point timer/Clock card	Std	CLK	To schedule 4 different interval time with different active water T setpoint.
Back light display	Std		User Display panel mounted. Suggested for outdoor installation.
Digital pressures and temperatures reading Kit	Std		Pressure Transducers & Sensors to show the Discharge and Suction pressure and temperature during running condition.
High pressure control on capacity	Std		Functions able to protect multistage circuit from High discharge pressure values. Circuit is partloaded whenever the Discharge pressure is too high to prevent HP tripping.
Sequence phases control	Std	PHC	It allows to check the correct sense R-S-T of electric supply phases for 400/3/50 units.
Electronic expansion valves	Std	EEV	It is the device able to control the refrigerant flow on suction line through a stepper motor in order to keep the superheat as constant as possible.
Control circuit transformer 400V/230V	Std	TRF	Voltage transformer to provide correctly the separated voltage to the auxiliary line.
Data logger	Std	DL	Record continuously the essential thermodynamic operating parameters, during the last hours. This facilitates debug and service activity on field.
Power supply without neutral	Std	3PH	Unit to be supplied with 400/3/50. No need of Neutral cable.
Hour meter	Std		Total running hours recorded for each compressors and for total unit. Also record of total scroll compressors starts.
Main switch	Std		Front operated switch-disconnector with direct mounted handle to cut the power Supply Line according CE standards.
Differential pressure switch	Std		Prevents the operation of the unit if the circulating chilled fluid is insufficient. Checking water differential pressure.
Antifreeze electric heater kit	Std	EEH	Electrical Heater protects the plate exchanger.
Compressor Jacket	Std SLN	CJ	Jacket for each compressors in order to reduce the sound of its.
Remote On/Off control	Accessory		It enables the operator to power on the unit when it is in standby mode, to display alarms and switch over cooling-heat pump. Maximum length: 50mt.

Accessories & Options (continued)

SYSCROLL AIR	Delivery	Abbreviation	Description & Benefit
Remote keyboard panel	Accessory		Makes it possible to control the unit through the remote terminal, up to a maximum distance of 400m of telephone cable.
Modbus protocol kit for BMS	Option	MBS	It permits the integration of the unit with BMS with Modbus protocol through RS485 port.
Lonwork protocol kit for BMS	Option	LON	It permits the integration of the unit with BMS with Lonwork Network.
Bacnet protocol kit for BMS	Option	BAC	It permits the integration of the unit with BMS with Bacnet protocol through RS485 port.
Interface Kit ethernet/webctrl pcos (Modbus & Bacnet already included)	Option		It permits the integration of the unit with BMS with Modbus or Bacnet protocol through Ethernet port (TCP/IP).
Softstarter for compressor	Option	SS	An electronic device that automatically starts up the compressors gradually. The starting current can be reduced by up to 40% of the direct on line value.
Low ambient kit (-14°C) (pressostatic stepless fan speed control)	Option	FSC	Electronic speed controllers are designed to control the speed of fan motors in Air Cooled Chiller and Heatpump. Fan Speed controlled by Condensing Pressure in cool mode or by Air Temp in heat mode. Using variable fan speed controllers offers following benefits in commercial refrigeration or air-conditioning applications High Efficiency, Low Noise level, Low air temperature in cool mode and High air temperature in heat mode.
Double set point	Option	DSP	Can manage two different applications (set point) selected by remote dry contact Circuit 1 and Circuit 2. On/Off or Part Load by remote Dry contact.
Power factor corrector capacitors	Option	PFC	The purpose of the power factor corrector capacitor is to minimize the input current distortion and make the current in phase with the voltage. Target is to keep Power Factor about 0.90 in any running condition.
Overload protection for compressors	Option	CP	The compressor is equipped with an amperometrical protection (overload protection) wired under the compressor contactor; this protection operates: a) if compressor's temperature is too high. b) if current's absorption is too high.
Sequencer for up to 4 chillers installation	Accessory	SEQ	It can easily pilot up to 4 units, chiller or heat pumps, belonging to the same family, fitted in parallel, 50 metres apart maximum.
Master and slave up to 4 chillers installation: CHILLERNET	Accessory		It is a network of chillers. They are hydraulically connected in parallel on the same installation. They are intended to work together as a single machine whose capacity equals the total amount of capacities. Up to 4 chillers of the same family can be connected together. One of these chillers is called MASTER, the others are SLAVE. The MASTER chiller will control all the other chillers.
GSM	Option	GSM	Makes it possible to check the working mode or the switching on/off of the unit via SMS. In case of any alarms, the unit sends an SMS to the user.
Automatic circuit breaker	Option	ACB	ACB is an automatically operated electrical switch designed to protect an electrical circuit from damage caused by overload or short circuit. Providing Magnetic and Thermal protection to Fan and Compressor motors.
Mechanical gauges kit (HP and LP manometers)	Option	KM	Pressure gauges that display the operating pressure in the high and low pressure sections of the refrigerant circuit.
E-coating MCHX	Std		It is a treatment for MCHX coil for medium level of pollution and for marine atmosphere.
Copper Fins	Option	CU/CU	The package heat exchanger finned coils in Cu/Cu can be used in places with a concentrations in the air of saline and highly aggressive agents: Not suitable in presence of sulphur-based agents.
Coil Guards	Option	CG	Grilles to protect the coils.
Chiller grilles	Option	KG	Grilles to protect unit avoiding possible intrusion into the unit.
Total heat recovery	Option	TR	Additional exchanger in order to recover 100% of capacity for Domestic Hot Water application.
Desuperheater	Option	D	Additional exchanger in order to recover 20% of capacity for Domestic Hot Water application.
Flow switch	Accessory	FS	Prevents the operation of the unit if the circulating chilled fluid is insufficient. It is recommended to install a flow switch to ensure the correct operation of the unit.
Water pressure switch	Accessory		Mechanical water pressure switch to be mounted on the field installation on installation water piping to prevent very low Water Pressure.
Water filter	Accessory		Filter to remove impurities from the water supply.

Accessories are loosed and to install in the field. Options are mounted in factory.

Refrigerant Flow Diagram - SYSCROLL 240-660 AIR CO



COMPONENTS

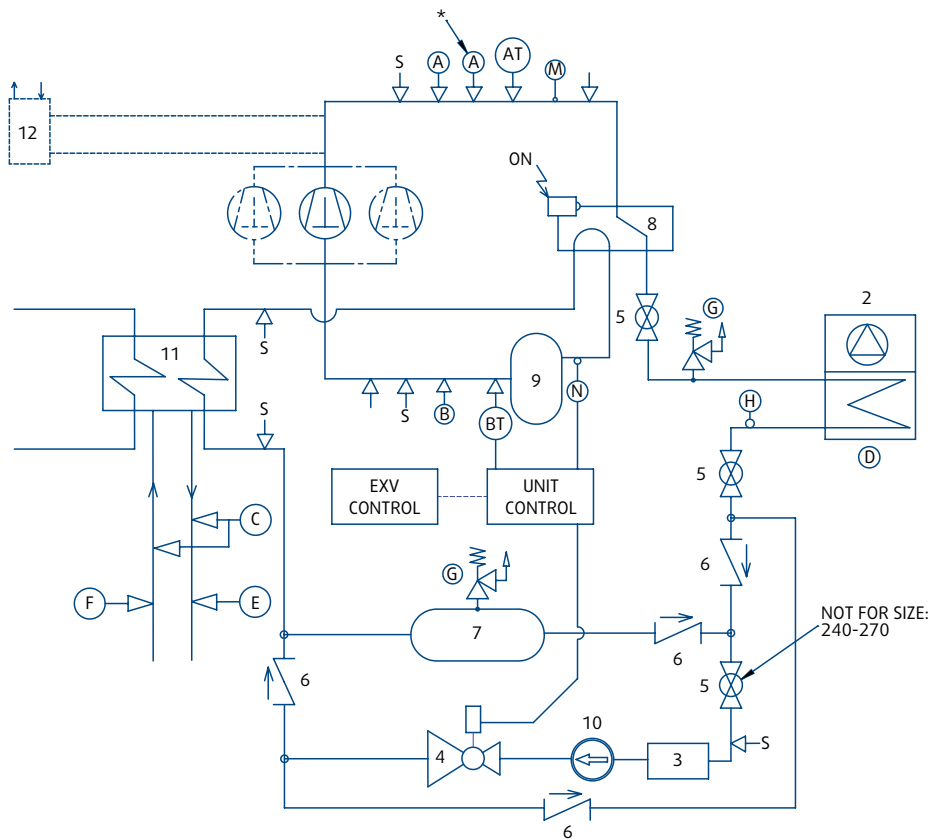
- 1 Scroll type compressor
- 2 Air cooled condenser
- 3 Filter drier
- 4 Electronic expansion valve
- 5 Globe valve
- 6 Heat exchanger
- 7 Desuperheater (optional)
- 8 Sight glass

SAFETY/CONTROL DEVICES

- A High pressure switch
- AT High pressure transducer
- B Low pressure switch
- BT Low pressure transducer
- C Water differential pressure switch
- D Air temperature sensor
- E Outlet water temperature sensor
- F Inlet water temperature sensor
- G PED pressure relief valve (45 bar)
- M Discharge temperature sensor
- S 5/16" valve connection (service only)
- ↓ Pipe connection with Shrader valve

SIZE	N° COMPRESSORS		N° HP SWITCH (*)	
	CIRC.1	CIRC.2	CIRC.1	CIRC.2
240	1	2	NO	YES
270	1	2	NO	YES
290	1	2	NO	YES
320	1	2	NO	YES
360	2	2	YES	YES
420	2	2	YES	YES
470	2	3	YES	YES
540	2	3	YES	YES
590	3	3	YES	YES
660	3	3	YES	YES

Refrigerant Flow Diagram - SYSCROLL 240-660 AIR HP



COMPONENTS

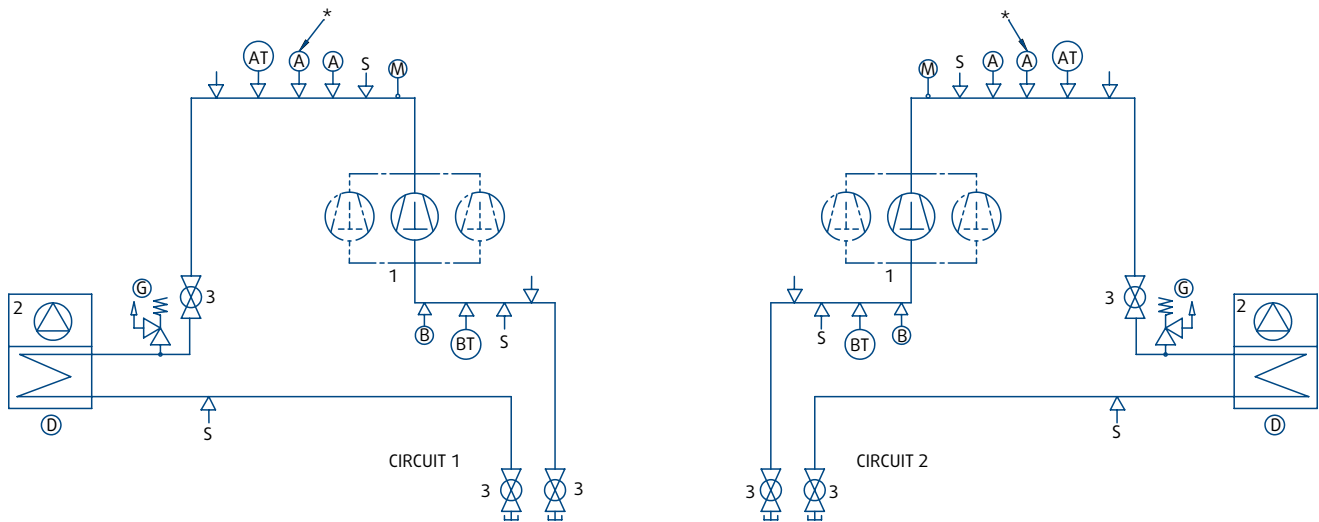
- 1 Scroll type compressor
- 2 Air cooled condenser
- 3 Filter drier
- 4 Electronic expansion valve
- 5 Globe valve
- 6 Check valve
- 7 Liquid receiver
- 8 Four-way valve
- 9 Suction accumulator
- 10 Sight glass
- 11 Heat exchanger
- 12 Desuperheater (option)

SAFETY/CONTROL DEVICES

- A High pressure switch
- AT High pressure transducer
- B Low pressure switch
- BT Low pressure transducer
- C Water differential pressure switch
- D Air temperature sensor
- E Outlet water temperature sensor
- F Inlet water temperature sensor
- G PED pressure relief valve
- H Defrost temperature sensor
- M Discharge temperature sensor
- N Suction temperature sensor
- S 5/16" valve connection (service only)
- ↓ Pipe connection with Shrader valve

SIZE	N° COMPRESSORS		N° HP SWITCH (*)	
	CIRC.1	CIRC.2	CIRC.1	CIRC.2
240	1	2	NO	YES
270	1	2	NO	YES
290	1	2	NO	YES
320	1	2	NO	YES
360	2	2	YES	YES
420	2	2	YES	YES
470	2	3	YES	YES
540	2	3	YES	YES
590	3	3	YES	YES
660	3	3	YES	YES

Refrigerant Flow Diagram - SYSCROLL 240-660 AIR RE



COMPONENTS

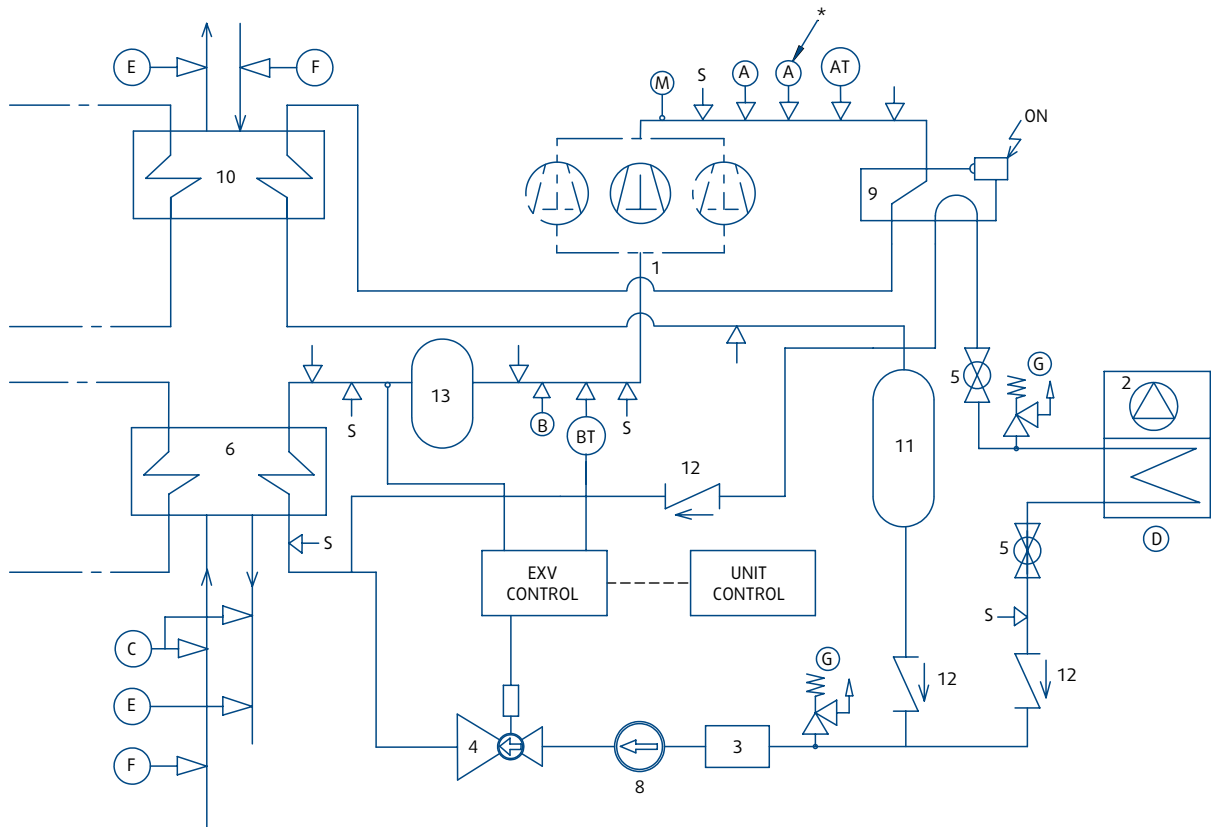
- 1 Scroll type compressor
- 2 Air cooled condenser
- 3 Globe valve

SAFETY/CONTROL DEVICES

- A High pressure switch (40,5 bar)
- AT High pressure transducer
- AF Access fitting sae flare 1/4"
- B Low pressure switch (1,5 bar)
- BT Low pressure transducer
- D Air temperature sensor
- G PED pressure relief valve (45 bar)
- M Discharge temperature sensor
- S 5/16" valve connection (service only)
- ↓ Pipe connection with Shrader valve

SIZE	N° COMPRESSORS		N° HP SWITCH (*)	
	CIRC.1	CIRC.2	CIRC.1	CIRC.2
240	1	2	NO	YES
270	1	2	NO	YES
290	1	2	NO	YES
320	1	2	NO	YES
360	2	2	YES	YES
420	2	2	YES	YES
470	2	3	YES	YES
540	2	3	YES	YES
590	3	3	YES	YES
660	3	3	YES	YES

Refrigerant Flow Diagram - SYSCROLL 240-660 AIR TR



COMPONENTS

- 1 Scroll type compressor
- 2 Air cooled condenser
- 3 Filter drier
- 4 Electronic expansion valve
- 5 Globe valve
- 6 Heat exchange
- 7 Desuperheater (option)
- 8 Sight glass
- 9 Four-way valve
- 10 Heat recover
- 11 Liquid receiver
- 12 Check valve
- 13 Suction

SAFETY/CONTROL DEVICES

- A High pressure switch (40,5 bar)
- AT High pressure transducer
- B Low pressure switch (1,5 bar)
- BT Low pressure transducer
- C Water differential pressure switch (105 mbar)
- D Air temperature sensor
- E Outlet water temperature sensor
- F Inlet water temperature sensor
- G PED pressure relief valve (45 bar)
- M Discharge temperature sensor
- N Suction temperature sensor
- S 5/16" valve connection (service only)
- ↓ Pipe connection with Shrader valve

SIZE	N° COMPRESSORS		N° HP SWITCH (*)	
	CIRC.1	CIRC.2	CIRC.1	CIRC.2
240	1	2	NO	YES
270	1	2	NO	YES
290	1	2	NO	YES
320	1	2	NO	YES
360	2	2	YES	YES
420	2	2	YES	YES
470	2	3	YES	YES
540	2	3	YES	YES
590	3	3	YES	YES
660	3	3	YES	YES

Operating Limits - SYSCROLL AIR CO - Cooling Mode

Operating limits

SYSCROLL AIR CO				240		270		290		320		360	
				Min	Max	Min	Max	Min	Max	Min	Max	Min	Max
Chilled liquid	Liquid outlet temperature	Water	°C	+6 to +18									
		Water with glycol*	°C	-10 to +6									
		Temperature spread	K	3 to 7									
	Maximum operating pressure	bar	6										
Ambient air	Air entering temperature cooling	-	°C	+10 to +45									
		L	°C	+7 to +43									
		S	°C	-14 to +43									
		HT-HPF	°C	-18 to +47									
	External static pressure	Standard fans	Pa	0									
		High pressure fans	Pa	<120									
Recommended system chilled water volume ²			l	960	1.080	1.160	1.280	1.320	1.320	1.320	1.320	1.320	
Minimum capacity step			%	31	33	30	27	27	27	27	23	23	
Power supply voltage ³			V	400 V / 3 Ø / 50 Hz (nominal)									

SYSCROLL AIR CO				420		470		540		590		660	
				Min	Max	Min	Max	Min	Max	Min	Max	Min	Max
Chilled liquid	Liquid outlet temperature	Water	°C	+6 to +18									
		Water with glycol*	°C	-10 to +6									
		Temperature spread	K	3 to 7									
	Maximum operating pressure	bar	6										
Ambient air	Air entering temperature cooling	-	°C	+10 to +45									
		L	°C	+7 to +43									
		S	°C	-14 to +43									
		EC-HT	°C	-18 to +47									
	External static pressure	Standard fans	Pa	0									
		High pressure fans	Pa	<120									
Recommended system chilled water volume ²			l	1.260	1.128	1.296	1.180	1.180	1.180	1.320	1.320		
Minimum capacity step			%	25	24	20	14	14	14	17	17		
Power supply voltage ³			V	400 V / 3 Ø / 50 Hz (nominal)									

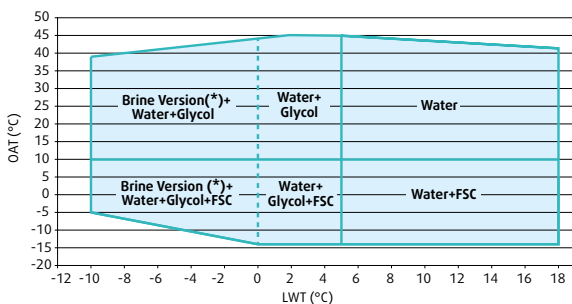
* For Liquid outlet temperature <0 °C provide Brine Version (available for CO; on request for HP).

¹ Total unit flow rate and pressure drop are given for std unit. Caution: Minimum flow rates may only be used with brine solutions after reprogramming unit parameters.

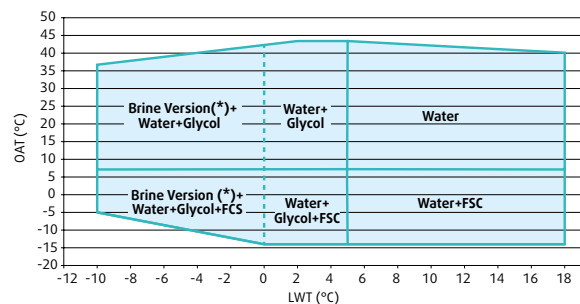
² Table shows minimum water / brine volume of system (about 3 lt/kW).

³ Voltage 400V +/- 10%.

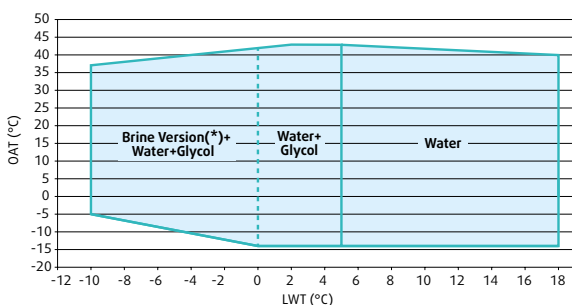
- version



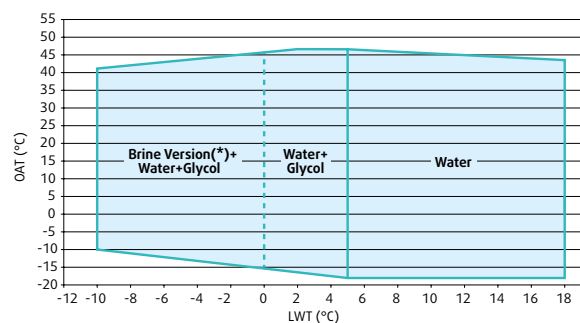
L version



S version



HT-HPF version



Operating Limits - SYSCROLL AIR HP - Cooling Mode

Operating limits

SYSCROLL AIR HP				240		270		290		320		360	
				Min	Max	Min	Max	Min	Max	Min	Max	Min	Max
Chilled liquid	Liquid outlet temperature	Water	°C	+6 to +18									
		Water with glycol*	°C	-10 to +6									
		Temperature spread	K	3 to 7									
	Maximum operating pressure	bar	6										
Ambient air	Air entering temperature cooling	-	°C	+5 to +42									
		L	°C	+5 to +40									
		S	°C	-14 to +40									
		HT-HPF	°C	-18 to +44									
	External static pressure	Standard fans	Pa	0									
		High pressure fans	Pa	<120									
Recommended system chilled water volume ²			l	960	1.080	1.160	1.280	1.320	1.320	1.320	1.320	1.320	
Minimum capacity step			%	31	33	30	27	27	27	27	23	23	
Power supply voltage ³			V	400 V / 3 Ø / 50 Hz (nominal)									

SYSCROLL AIR HP				420		470		540		590		660	
				Min	Max	Min	Max	Min	Max	Min	Max	Min	Max
Chilled liquid	Liquid outlet temperature	Water	°C	+6 to +18									
		Water with glycol*	°C	-10 to +6									
		Temperature spread	K	3 to 7									
	Maximum operating pressure	bar	6										
Ambient air	Air entering temperature cooling	-	°C	+5 to +42									
		L	°C	+5 to +40									
		S	°C	-14 to +40									
		EC-HT	°C	-18 to +44									
	External static pressure	Standard fans	Pa	0									
		High pressure fans	Pa	<120									
Recommended system chilled water volume ²			l	1.260	1.128	1.296	1.180	1.180	1.180	1.320	1.320	1.320	
Minimum capacity step			%	25	24	20	14	14	14	17	17	17	
Power supply voltage ³			V	400 V / 3 Ø / 50 Hz (nominal)									

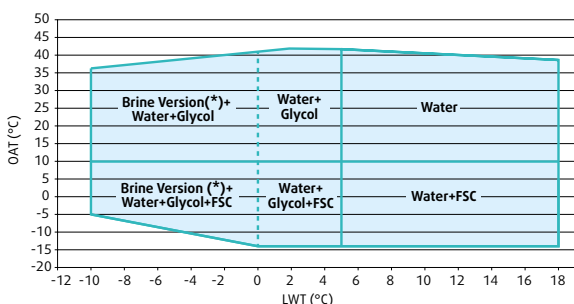
* For Liquid outlet temperature <0 °C provide Brine Version (available for CO; on request for HP).

¹ Total unit flow rate and pressure drop are given for std unit. Caution: Minimum flow rates may only be used with brine solutions after reprogramming unit parameters.

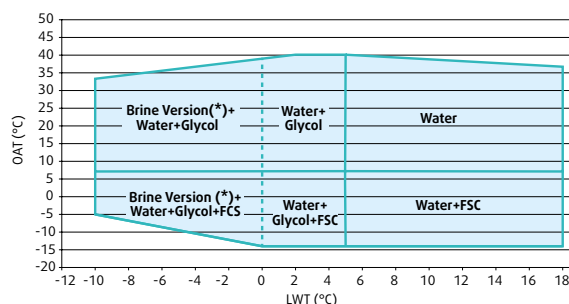
² Table shows minimum water / brine volume of system (about 3 lt/kW).

³ Voltage 400V +/- 10%.

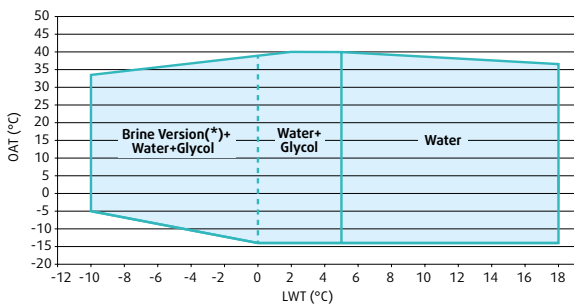
- version



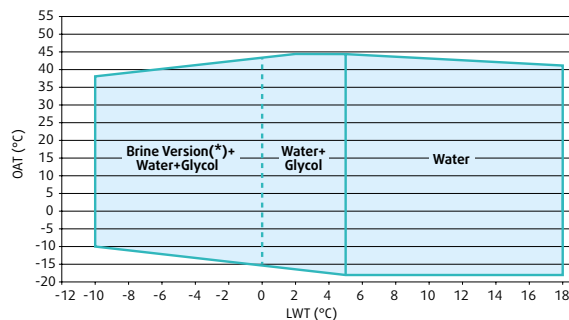
L version



S version



HT-HPF version



Operating Limits - SYSCROLL AIR HP - Heating Mode

Operating limits

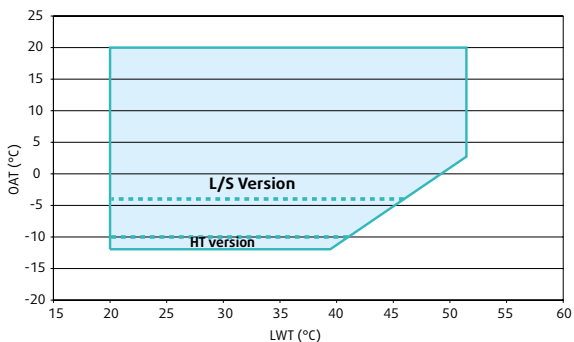
SYSCROLL AIR HP				240		270		290		320		360	
				Min	Max	Min	Max	Min	Max	Min	Max	Min	Max
Heat pump liquid	Liquid outlet temperature	Water outlet	°C	+20 to +52									
		Temperature spread	K	3 to 7									
	Maximum operating pressure	bar	6										
Ambient air	Air entering temperature Full Load Operation Heating	-	°C	-10 to +20									
		L	°C	-4 to +20									
		S	°C	-4 to +20									
		HT	°C	-12 to +20									
	External static pressure	Standard fans	Pa	0									
High pressure fans		Pa	<120										
Recommended system chilled water volume ²			l	960	1.080	1.160	1.280	1.080					
Minimum capacity step			%	31	33	30	27	23					
Power supply voltage ³			V	400 V / 3 Ø / 50 Hz (nominal)									

SYSCROLL AIR HP				420		470		540		590		660	
				Min	Max	Min	Max	Min	Max	Min	Max	Min	Max
Heat pump liquid	Liquid outlet temperature	Water outlet	°C	+20 to +52									
		Temperature spread	K	3 to 7									
	Maximum operating pressure	bar	6										
Ambient air	Air entering temperature Full Load Operation Heating	-	°C	-10 to +20									
		L	°C	-4 to +20									
		S	°C	-4 to +20									
		HT	°C	-12 to +20									
	External static pressure	Standard fans	Pa	0									
High pressure fans		Pa	<120										
Recommended system chilled water volume ²			l	1.260	1.128	1.296	1.180	1.320					
Minimum capacity step			%	25	24	20	14	17					
Power supply voltage ³			V	400 V / 3 Ø / 50 Hz (nominal)									

¹ Total unit flow rate and pressure drop are given for std unit. Caution: Minimum flow rates may only be used with brine solutions after reprogramming unit parameters.

² Table shows minimum water / brine volume of system (about 3 lt/kW).

³ Voltage 400V +/- 10%.



Operating Limits - SYSCROLL AIR RE

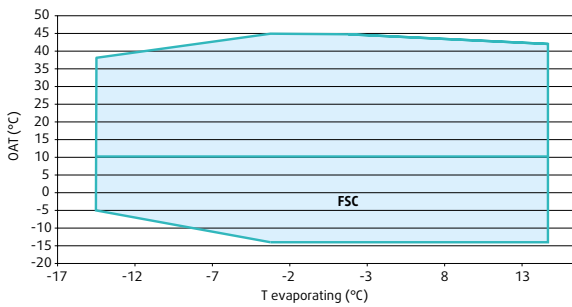
Operating limits

SYSCROLL AIR RE				240		270		290		320		360	
				Min	Max	Min	Max	Min	Max	Min	Max	Min	Max
Ambient air	Air entering temperature cooling	-	°C	+10 to +45									
		L	°C	+7 to +43									
		S	°C	-14 to +43									
		HT-HPF	°C	-18 to +47									
	External static pressure	Standard fans	Pa	0									
High pressure fans		Pa	<120										
Minimum capacity step			%	31	33	30	27	23					
Power supply voltage ³			V	400 V / 3 Ø / 50 Hz (nominal)									

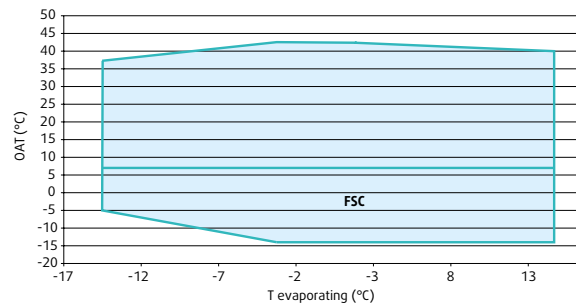
SYSCROLL AIR RE				420		470		540		590		660	
				Min	Max	Min	Max	Min	Max	Min	Max	Min	Max
Ambient air	Air entering temperature cooling	-	°C	+10 to +45									
		L	°C	+7 to +43									
		S	°C	-14 to +43									
		HT-HPF	°C	-18 to +47									
	External static pressure	Standard fans	Pa	0									
High pressure fans		Pa	<120										
Minimum capacity step			%	25	24	20	14	17					
Power supply voltage ³			V	400 V / 3 Ø / 50 Hz (nominal)									

³ Voltage 400V +/- 10%.

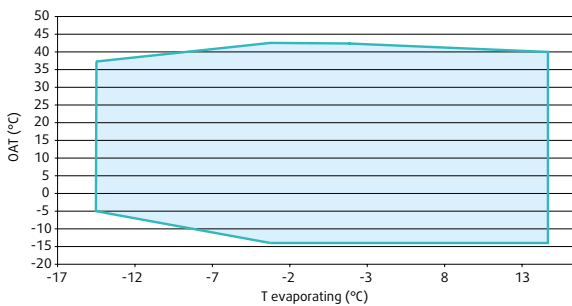
- version



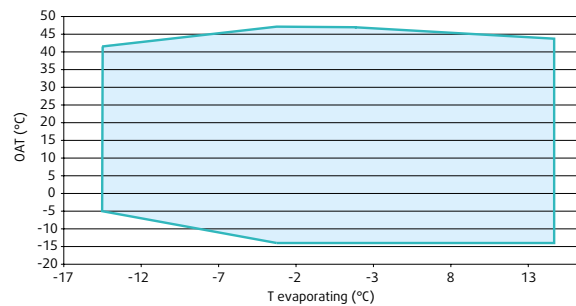
L version



S version



HT-HPF version



Correction Factors

Fouling factors

EVAPORATOR			CONDENSER		
Fouling factor (m ² .°C/kW)	Cooling capacity factor	Power input factor	Fouling factor (m ² .°C/kW)	Cooling capacity factor	Power input factor
0.044	1.000	1.000	0.044	1.000	1.000
0.088	0.987	0.995	0.088	0.987	1.023
0.176	0.964	0.985	0.176	0.955	1.068
0.352	0.915	0.962	0.352	0.910	1.135

Altitude factors

Altitude (m)	Cooling capacity factor	Power input factor
0	1.000	1.000
600	0.987	1.010
1200	0.973	1.020
1800	0.958	1.029
2400	0.943	1.038

System Water Volume

The minimum system water volume is calculated using the [minimum compressor running time](#) (1.5 minute for scroll compressor) and the [lower capacity step](#) (only one compressor running among the four compressors installed):

$$V = \frac{P \times t}{(n \times 25 \times \Delta T)}$$

Where

- V : Water volume (litre)
- P : Unit total cooling capacity (W)
- n : Number of compressor steps
- t : Compressor minimum running time (minute)
- ΔT : Evaporator temperature difference (°C)

With t = 1.5 minute, ΔT = 5 °C and n = 4, the minimum system water volume is about V = 3 litres/kW.

Physical Data - SYSCROLL AIR CO₂ - (STD-HT-HPF)

Standard, High Temperature and High Pressure Fan versions

Model		240	270	290	320	360	420	470	540	590	660
Nominal cooling capacity ¹	kW	238,1	267,4	287,4	316,1	362,0	414,2	469,6	533,7	588,9	654,2
Input power ¹	kW	83,8	99,0	103,4	111,6	128,3	148,7	160,9	183,9	198,1	221,6
EER ¹ / Energy Efficiency Class		2,84/C	2,70/C	2,78/C	2,83/C	2,82/C	2,78/C	2,92/B	2,90/B	2,97/B	2,95/B
EER 75%		3,24	3,05	3,33	3,51	3,43	3,54	3,57	3,52	3,53	3,49
EER 50%		3,92	3,86	4,00	4,04	4,18	4,16	4,19	4,12	4,19	4,21
EER 25%		4,32	4,13	4,25	4,30	4,31	4,29	4,47	4,04	4,50	4,39
SEER ²		3,93	3,8	3,85	3,98	3,93	4,18	4,13	4,38	4,4	4,43
η_{sc}^{2*}		154	149	151	156	154	164	162	172	173	174
EER HT/Energy Efficiency Class ¹		2,87/C	2,73/C	2,81/C	2,86/C	2,85/C	2,82/C	2,95/B	2,93/B	3,01/B	2,99/B
EER HPF/Energy Efficiency Class ¹		2,70/D	2,58/D	2,64/D	2,70/C	2,69/D	2,66/D	2,78/C	2,77/C	2,83/C	2,82/C
SEER HT / SEER HPF ²		4	3,88	3,93	4,05	4	4,2	4,1	4,47	4,47	4,43
$\eta_{sc} HT / \eta_{sc} HPF^{2*}$		157	152	154	159	157	165	161	176	176	174
Number of refrigerant circuits		2	2	2	2	2	2	2	2	2	2
Total capacity steps	%	31-62-100	33-67-100	30-60-100	27-64-100	23-46-69-100	25-50-75-100	24-47-65-82-100	20-40-60-80-100	14-29-43-62-81-100	17-33-50-67-83-100
Compressor											
Number / Type		3 / Scroll	3 / Scroll	3 / Scroll	3 / Scroll	4 / Scroll	4 / Scroll	5 / Scroll	5 / Scroll	6 / Scroll	6 / Scroll
N° of loading stages		0/100	0/100	0/100	0/100	0/100	0/100	0/100	0/100	0/100	0/100
Evaporator											
Number / Type		1 / Plate									
Water flow	m ³ /h	41,1	46,2	49,7	54,5	62,5	71,6	81,1	92,2	101,7	113,1
Pressure drop	kPa	50	62	72	35	45	58	44	57	54	66
Water volume	l	14	14	14	24	24	24	32	32	39	39
Antifreeze Heater	W	130	130	130	130	130	130	130	130	130	130
Air cooled condenser											
Number of coils		5	5	6	6	7	8	9	10	11	12
Total coil face area per coil	m ²	2,4	2,4	2,4	2,4	2,4	2,4	2,4	2,4	2,4	2,4
Fans											
Number of fans		5	5	6	6	7	8	9	10	11	12
Nominal speed	rpm	900	900	900	900	900	900	900	900	900	900
Total airflow	m ³ /h	112.500	112.500	135.000	135.000	157.500	180.000	202.500	225.000	247.500	270.000
Total input power	kW	8,5	8,5	10,2	10,2	11,9	13,6	15,3	17,0	18,7	20,4
Total input power HT		7,5	7,5	9,0	9,0	10,5	12,0	13,5	15,0	16,5	18,0
Total input power HPF	kW	13,0	13,0	15,6	15,6	18,2	20,8	23,4	26,0	28,6	31,2
External static pressure	Pa	0 or 120 Pa (**)									
Water Connections (Evaporator)											
Type		Male GAS Threaded					Victaulic				
Inlet Diameter / Outlet Diameter	inch	3" / 3"	3" / 3"	3" / 3"	3" / 3"	4" / 4"	4" / 4"	4" / 4"	4" / 4"	5" / 5"	5" / 5"
Water Connections (Desuperheater)											
Type		Male GAS Threaded									
Inlet Diameter / Outlet Diameter	inch	1" / 1"	1" / 1"	1" / 1"	1" / 1"	1" / 1"	1" / 1"	1" / 1"	1" / 1"	1" / 1"	1" / 1"
Weight											
Shipping	kg	1.877	1.878	1.927	1.973	2.372	2.428	3.078	3.128	3.603	3.661
Operating	kg	1.912	1.914	1.962	2.034	2.434	2.488	3.158	3.209	3.701	3.759
Additional weight											
HT-HPF versions	kg	50	50	60	60	70	80	90	100	110	120
Desuperheater versions	kg	49	49	49	49	62	62	73	73	83	83
Dimensions											
Length	mm	3.500	3.500	3.500	3.500	4.550	4.550	5.600	5.600	6.650	6.650
Width	mm	2.150	2.150	2.150	2.150	2.150	2.150	2.150	2.150	2.150	2.150
Height	mm	2.500	2.500	2.500	2.500	2.500	2.500	2.500	2.500	2.500	2.500
Acoustical data											
Sound power level ³	dB(A)	93	93	94	94	94	95	95	96	96	97
Sound pressure level at 10 m ⁴	dB(A)	61	61	62	62	62	63	63	64	64	64

¹ Data refers to 7°C leaving chilled water temperature and 35°C condenser air temperature, according EN14511 standard.

² According EN14825.

³ Sound levels are at fully loaded conditions. Sound power level values refer to ISO standard 3744.

⁴ Sound pressure levels refer to ISO Standard 3744, parallelepiped shape.

* Non Erp compliant following COMMISSION REGULATION (EU) No 2016/2281 for comfort application chillers.

Physical Data - SYSCROLL AIR CO_L (STD)

Standard version

Model		240	270	290	320	360	420	470	540	590	660
Nominal cooling capacity ¹	kW	230,0	256,9	277,6	303,8	348,5	398,6	451,7	513,1	566,5	628,8
Input power ¹	kW	85,1	101,5	104,9	113,9	131,1	151,6	164,2	187,5	202,2	225,9
EER ¹ / Energy Efficiency Class		2,70/C	2,53/D	2,65/D	2,67/D	2,66/D	2,63/D	2,75/C	2,74/C	2,80/C	2,78/C
EER 75%		3,23	2,88	3,30	3,14	3,40	3,54	3,57	3,50	3,51	3,46
EER 50%		3,98	3,90	3,91	4,11	4,30	4,29	4,26	4,18	4,26	4,27
EER 25%		4,55	4,26	4,17	4,44	4,46	4,46	4,62	4,07	4,42	4,42
SEER ²		3,93	3,8	3,85	3,95	3,98	4,18	4,1	4,25	4,3	4,4
η_{sc}^{2*}		154	149	151	155	156	164	161	167	169	173
Number of refrigerant circuits		2	2	2	2	2	2	2	2	2	2
Total capacity steps	%	31-62-100	33-67-100	30-60-100	27-64-100	23-46-69-100	25-50-75-100	24-47-65-82-100	20-40-60-80-100	14-29-43-62-81-100	17-33-50-67-83-100
Compressor											
Number		3	3	3	3	4	4	5	5	6	6
Type		Scroll									
N° of loading stages		0/100	0/100	0/100	0/100	0/100	0/100	0/100	0/100	0/100	0/100
Evaporator											
Number		1	1	1	1	1	1	1	1	1	1
Type		Plate									
Water flow	m ³ /h	39,7	44,4	48,0	52,4	60,2	68,9	78,0	88,6	97,8	108,6
Pressure drop	kPa	47	58	67	32	42	54	41	52	50	61
Water volume	l	14	14	14	24	24	24	32	32	39	39
Antifreeze Heater	W	130	130	130	130	130	130	130	130	130	130
Air cooled condenser											
Number of coils		5	5	6	6	7	8	9	10	11	12
Total coil face area per coil	m ²	2,4	2,4	2,4	2,4	2,4	2,4	2,4	2,4	2,4	2,4
Fans											
Number of fans		5	5	6	6	7	8	9	10	11	12
Nominal speed	rpm	700	700	700	700	700	700	700	700	700	700
Total airflow	m ³ /h	92.500	92.500	111.000	111.000	129.500	148.000	166.500	185.000	203.500	222.000
Total input power	kW	6,0	6,0	7,2	7,2	8,4	9,6	10,8	12,0	13,2	14,4
Water Connections (Evaporator)											
Type		Male GAS Threaded					Victaulic				
Inlet Diameter	inch	3"	3"	3"	3"	4"	4"	4"	4"	5"	5"
Outlet Diameter	inch	3"	3"	3"	3"	4"	4"	4"	4"	5"	5"
Water Connections (Desuperheater)											
Type		Male GAS Threaded									
Inlet Diameter	inch	1"	1"	1"	1"	1"	1"	1"	1"	1"	1"
Outlet Diameter	inch	1"	1"	1"	1"	1"	1"	1"	1"	1"	1"
Weight											
Shipping	kg	1.877	1.878	1.927	1.973	2.372	2.428	3.078	3.128	3.603	3.661
Operating	kg	1.912	1.914	1.962	2.034	2.434	2.488	3.158	3.209	3.701	3.759
Additional weight											
Desuperheater versions	kg	49	49	49	49	62	62	73	73	83	83
Dimensions											
Length	mm	3.500	3.500	3.500	3.500	4.550	4.550	5.600	5.600	6.650	6.650
Width	mm	2.150	2.150	2.150	2.150	2.150	2.150	2.150	2.150	2.150	2.150
Height	mm	2.500	2.500	2.500	2.500	2.500	2.500	2.500	2.500	2.500	2.500
Acoustical data											
Sound power level ³	dB(A)	88	88	89	89	90	91	91	91	92	92
Sound pressure level at 10 m ⁴	dB(A)	56	56	57	57	58	59	59	59	59	59

¹ Data refers to 7°C leaving chilled water temperature and 35°C condenser air temperature, according EN14511 standard.

² According EN14825.

³ Sound levels are at fully loaded conditions. Sound power level values refer to ISO standard 3744.

⁴ Sound pressure levels refer to ISO Standard 3744, parallelepiped shape.

* Non Erp compliant following COMMISSION REGULATION (EU) No 2016/2281 for comfort application chillers.

Physical Data - SYSCROLL AIR CO_S (STD)

Standard version

Model		240	270	290	320	360	420	470	540	590	660
Nominal cooling capacity ¹	kW	214,4	236,9	259,0	280,6	323,0	368,9	418,3	474,2	524,1	580,9
Input power ¹	kW	91,0	109,9	112,0	122,6	141,3	162,9	176,6	201,5	217,3	242,5
EER ¹ / Energy Efficiency Class		2,36/E	2,16/F	2,31/E	2,29/F	2,29/F	2,26/F	2,37/E	2,35/E	2,41/E	2,40/E
EER 75%		2,86	2,70	3,06	2,80	3,19	3,34	3,39	3,32	3,29	3,23
EER 50%		3,81	3,70	3,79	3,93	4,15	4,15	4,07	3,99	4,34	4,31
EER 25%		4,51	4,14	4,07	4,31	4,35	4,36	4,51	3,81	4,57	4,70
SEER ²		3,85	3,83	3,83	3,83	3,88	4,22	4,13	4,22	4,4	4,2
η_{sc}^{2*}		151	150	150	150	152	166	162	166	173	165
Number of refrigerant circuits		2	2	2	2	2	2	2	2	2	2
Total capacity steps	%	31-62-100	33-67-100	30-60-100	27-64-100	23-46-69-100	25-50-75-100	24-47-65-82-100	20-40-60-80-100	14-29-43-62-81-100	17-33-50-67-83-100
Compressor											
Number		3	3	3	3	4	4	5	5	6	6
Type		Scroll									
N° of loading stages		0/100	0/100	0/100	0/100	0/100	0/100	0/100	0/100	0/100	0/100
Evaporator											
Number		1	1	1	1	1	1	1	1	1	1
Type		Plate									
Water flow	m ³ /h	37,0	40,9	44,8	48,4	55,7	63,7	72,2	81,9	90,5	100,3
Pressure drop	kPa	41	49	59	28	36	47	35	45	43	53
Water volume	l	14	14	14	24	24	24	32	32	39	39
Antifreeze Heater	W	130	130	130	130	130	130	130,0	130	130	130
Air cooled condenser											
Number of coils		5	5	6	6	7	8	9	10	11	12
Total coil face area per coil	m ²	2,4	2,4	2,4	2,4	2,4	2,4	2,4	2,4	2,4	2,4
Fans											
Number of fans		5	5	6	6	7	8	9	10	11	12
Nominal speed	rpm	550	550	550	550	550	550	550	550	550	550
Total airflow	m ³ /h	72.500	72.500	87.000	87.000	101.500	116.000	130.500	145.000	159.500	174.000
Total input power	kW	4,5	4,5	5,4	5,4	6,3	7,2	8,1	9,0	9,9	10,8
Water Connections (Evaporator)											
Type		Male GAS Threaded					Victaulic				
Inlet Diameter	inch	3"	3"	3"	3"	4"	4"	4"	4"	5"	5"
Outlet Diameter	inch	3"	3"	3"	3"	4"	4"	4"	4"	5"	5"
Water Connections (Desuperheater)											
Type		Male GAS Threaded									
Inlet Diameter	inch	1"	1"	1"	1"	1"	1"	1"	1"	1"	1"
Outlet Diameter	inch	1"	1"	1"	1"	1"	1"	1"	1"	1"	1"
Weight											
Shipping	kg	1.877	1.878	1.927	1.973	2.372	2.428	3.078	3.128	3.603	3.661
Operating	kg	1.912	1.914	1.962	2.034	2.434	2.488	3.158	3.209	3.701	3.759
Additional weight											
Desuperheater versions	kg	49	49	49	49	62	62	73	73	83	83
Dimensions											
Length	mm	3.500	3.500	3.500	3.500	4.550	4.550	5.600	5.600	6.650	6.650
Width	mm	2.150	2.150	2.150	2.150	2.150	2.150	2.150	2.150	2.150	2.150
Height	mm	2.500	2.500	2.500	2.500	2.500	2.500	2.500	2.500	2.500	2.500
Acoustical data											
Sound power level ³	dB(A)	85	86	87	87	88	88	89	89	90	90
Sound pressure level at 10 m ⁴	dB(A)	53	54	55	55	56	56	57	57	57	57

¹ Data refers to 7°C leaving chilled water temperature and 35°C condenser air temperature, according EN14511 standard.

² According EN14825.

³ Sound levels are at fully loaded conditions. Sound power level values refer to ISO standard 3744.

⁴ Sound pressure levels refer to ISO Standard 3744, parallelepiped shape.

* Non Erp compliant following COMMISSION REGULATION (EU) No 2016/2281 for comfort application chillers.

Physical Data - SYSCROLL AIR HP_ - (STD-HT-HPF)

Standard, High Temperature and High Pressure Fan versions

Model		240	270	290	320	360	420	470	540	590	660
Nominal cooling capacity ¹	kW	216,5	251,6	263,8	287,1	330,0	380,7	435,1	481,9	530,7	580,6
Input power ¹	kW	85,5	100,5	105,2	113,9	131,3	151,7	169,1	189,9	207,3	228,3
EER ¹ / Energy efficiency class		2,53/D	2,50/D	2,51/D	2,52/D	2,51/D	2,51/D	2,57/D	2,54/D	2,56/D	2,54/D
EER 75%		2,83	2,75	2,95	2,92	2,99	3,28	3,28	3,28	3,27	3,25
EER 50%		3,80	3,66	3,80	4,01	3,94	3,96	3,96	3,90	3,97	4,09
EER 25%		4,27	4,10	3,98	4,23	4,28	4,28	4,44	3,94	4,17	4,33
EER HT /EER HPF ¹		2,56/2,41	2,53/2,4	2,54/2,38	2,55/2,41	2,54/2,4	2,54/2,4	2,60/2,46	2,56/2,42	2,59/2,44	2,57/2,43
Energy Efficiency Class HT/ HPF		D/E	D/E	D/E	D/E	D/E	D/E	D/E	D/E	D/E	D/E
SEER / SEER HT ³		4,25/3,9	4,25/3,9	4,1/4,28	3,83/3,88	4,18/4,2	3,85/4,35	3,85/4,2	4,22/4,3	4,3/4,43	4,25/4,33
$\eta_{sc} / \eta_{sc} HT^3$		167/153	167/153	161/168	150/152	164/165	151/171	151/165	166*/169*	169*/174*	167*/170*
Nominal heating capacity ²	kW	255,9	289,1	313,3	333,0	382,4	444,0	491,5	556,4	605,0	679,1
Input power ²	kW	86,3	99,4	108,7	109,2	126,8	148,4	158,7	177,5	194,4	214,8
COP ²		2,97	2,91	2,88	3,05	3,02	2,99	3,10	3,13	3,11	3,16
Energy Efficiency Class STD/HT/HPF		C/B/C	C/C/D	C/C/D	B/B/C	B/B/C	C/B/C	B/B/C	B/B/C	B/B/C	B/B/B
COP HT/ COP HPF ²		3,00/2,82	2,94/2,78	2,91/2,74	3,08/2,91	3,05/2,87	3,03/2,85	3,13/2,95	3,17/2,98	3,15/2,96	3,20/3,01
SCOP /Energy efficiency class ⁴		3,39/A+	3,50/A+	3,38/A+	3,59/A+	3,51/A+	3,64/A+	3,42/A+	-	-	-
η_{st} ⁴		133	137	132	141	137	143	134	-	-	-
Number of refrigerant circuits		2	2	2	2	2	2	2	2	2	2
Total capacity steps	%	31-62-100	33-67-100	30-60-100	27-64-100	23-46-69-100	25-50-75-100	24-47-65-82-100	20-40-60-80-100	14-29-43-62-81-100	17-33-50-67-83-100
Compressor											
Number / Type		3 / Scroll	3 / Scroll	3 / Scroll	3 / Scroll	4 / Scroll	4 / Scroll	5 / Scroll	5 / Scroll	6 / Scroll	6 / Scroll
N° of loading stages		0/100	0/100	0/100	0/100	0/100	0/100	0/100	0/100	0/100	0/100
Evaporator											
Number / Type		1 / Plate									
Water flow Cooling ¹ / Heat Pump ²	m ³ /h	37,4/43,8	43,5/49,4	45,6/53,5	49,5/57,1	57,0/65,5	65,8/76,0	75,1/84,2	83,2/95,3	91,6/103,6	100,3/116,2
Pressure drop Cooling ¹ / Heat Pump ²	kPa	42/56	55/71	61/83	29/35	38/49	50/65	38/48	46/60	44/56	53/70
Water volume	l	14	14	14	24	24	24	32	32	39	39
Air cooled condenser											
Number of coils		5	5	6	6	7	8	9	10	11	12
Total coil face area per coil	m ²	2,4	2,4	2,4	2,4	2,4	2,4	2,4	2,4	2,4	2,4
Fans											
Number of fans		5	5	6	6	7	8	9	10	11	12
Nominal speed	rpm	900	900	900	900	900	900	900	900	900	900
Total airflow	m ³ /h	107.500	107.500	129.000	129.000	150.500	172.000	193.500	215.000	236.500	258.000
Total input power STD/HT/HPF	kW	8,5/7,5/13,0	8,5/7,5/13,0	10,2/9,0/15,6	10,2/9,0/15,6	11,9/10,5/18,2	13,6/12,0/20,8	15,3/13,5/23,4	17,0/15,0/26,0	18,7/16,5/28,6	20,4/18,0/31,2
External static pressure	Pa	0 or 120 Pa (**)									
Water Connections (Evaporator)											
Type		Male GAS Threaded				Victaulic					
Inlet Diameter / Outlet Diameter	inch	3" / 3"	3" / 3"	3" / 3"	3" / 3"	4" / 4"	4" / 4"	4" / 4"	4" / 4"	5" / 5"	5" / 5"
Water Connections (Desuperheater)											
Type		Male GAS Threaded									
Inlet Diameter / Outlet Diameter	inch	1" / 1"	1" / 1"	1" / 1"	1" / 1"	1" / 1"	1" / 1"	1" / 1"	1" / 1"	1" / 1"	1" / 1"
Weight											
Shipping	kg	2.300	2.300	2.404	2.451	2.892	2.999	3.673	3.793	4.362	4.480
Operating	kg	2.336	2.336	2.440	2.512	2.955	3.062	3.754	3.875	4.446	4.565
Additional weight											
HT-HPF versions	kg	50	50	60	60	70	80	90	100	110	120
Desuperheater versions	kg	49	49	49	49	62	62	73	73	83	83
Dimensions											
Length	mm	3.500	3.500	3.500	3.500	4.550	4.550	5.600	5.600	6.650	6.650
Width	mm	2.150	2.150	2.150	2.150	2.150	2.150	2.150	2.150	2.150	2.150
Height	mm	2.500	2.500	2.500	2.500	2.500	2.500	2.500	2.500	2.500	2.500
Acoustical data											
Sound power level ⁵	dB(A)	93	93	94	94	94	95	95	96	96	97
Sound pressure level at 10 m ⁶	dB(A)	61	61	62	62	62	63	63	64	63	64

¹ Data refers to 7°C leaving chilled water temperature and 35°C condenser air temperature, according EN14511 standard.

² Data refers to 45°C leaving warm water temperature and 7°C ambient coil air temperature with 87% R.H., according EN14511 standard.

³ According to EN14825 and following COMMISSION REGULATION (EU) No 2016/2281 for comfort application chillers.

⁴ According to EN14825 and following COMMISSION REGULATION (EU) No 813/2013 for low-temperature heat pumps.

⁵ Sound levels are at fully loaded conditions. Sound power level values refer to ISO standard 3744.

⁶ Sound pressure levels refer to ISO Standard 3744, parallelepiped shape.

* Non Erp compliant following COMMISSION REGULATION (EU) No 2016/2281 for comfort application chillers.

Physical Data - SYSCROLL AIR HP_L (STD)

Standard version

Model		240	270	290	320	360	420	470	540	590	660
Nominal cooling capacity ¹	kW	204,9	236,3	249,9	269,8	311,1	358,4	409,7	453,2	499,5	545,9
Input power ¹	kW	88,6	105,2	109,0	118,7	137,0	158,0	176,3	197,8	216,1	237,8
EER ¹ / Energy Efficiency Class		2,31/E	2,24/F	2,29/F	2,27/F	2,27/F	2,27/F	2,32/E	2,29/F	2,31/E	2,30/F
EER 75%		2,62	2,50	2,83	2,72	2,93	3,21	3,21	3,22	3,19	3,16
EER 50%		3,80	3,53	3,85	3,94	3,97	4,03	3,93	3,87	4,16	4,14
EER 25%		4,41	4,12	4,03	4,26	4,33	4,43	4,49	3,84	4,32	4,28
SEER ³		3,85	3,85	4,18	3,83	4,1	4,25	4,25	4,28	4,3	4,3
η_{sc} ³		151	151	164	150	161	167	167	168*	169*	169*
Nominal heating capacity ²	kW	253,0	285,5	309,7	328,9	377,7	438,6	485,4	539,8	597,5	670,7
Input power ²	kW	83,7	96,8	105,6	106,1	123,2	144,1	154,0	169,4	188,6	208,5
COP ²		3,02	2,95	2,93	3,10	3,07	3,04	3,15	3,19	3,17	3,22
Energy Efficiency Class		B	C	C	B	B	B	B	B	B	A
SCOP /Energy efficiency Class ⁴		3,39/A+	3,50/A+	3,38/A+	3,65/A+	3,51/A+	3,64/A+	3,49/A+	-	-	-
η_{sh} ⁴		132	137	132	143	137	143	136	-	-	-
Number of refrigerant circuits		2	2	2	2	2	2	2		2	2
Total capacity steps	%	31-62-100	33-67-100	30-60-100	27-64-100	23-46-69-100	25-50-75-100	24-47-65-82-100	20-40-60-80-100	14-29-43-62-81-100	17-33-50-67-83-100
Compressor											
Number		3	3	3	3	4	4	5	5	6	6
Type		Scroll									
N° of loading stages		0/100	0/100	0/100	0/100	0/100	0/100	0/100	0/100	0/100	0/100
Evaporator											
Number / Type		1 / Plate									
Water flow Cooling ¹	m ³ /h	35,4	40,8	43,2	46,5	53,7	61,9	70,7	78,2	86,2	94,2
Water pressure drop Cooling ¹	kPa	37	49	55	26	34	44	34	41	39	47
Water flow Heat Pump ²	m ³ /h	43,3	48,8	52,9	56,4	64,7	75,1	83,2	92,4	102,4	114,8
Water pressure drop Heat Pump ²	kPa	55	69	81	37	48	64	46	57	55	68
Water volume	l	14	14	14	24	24	24	32	32	39	39
Antifreeze Heater	W	130	130	130	130	130	130	130,0	130	130	130
Air cooled condenser											
Number of coils		5	5	6	6	7	8	9	10	11	12
Total coil face area per coil	m ²	2,4	2,4	2,4	2,4	2,4	2,4	2,4	2,4	2,4	2,4
Fans											
Number of fans		5	5	6	6	7	8	9	10	11	12
Nominal speed	rpm	700	700	700	700	700	700	700	700	700	700
Total airflow	m ³ /h	85.000	85.000	102.000	102.000	119.000	136.000	153.000	170.000	187.000	204.000
Total input power	kW	6,0	6,0	7,2	7,2	8,4	9,6	10,8	12,0	13,2	14,4
Water Connections (Evaporator)											
Type		Male GAS Threaded					Victaulic				
Inlet Diameter	inch	3"	3"	3"	3"	4"	4"	4"	4"	5"	5"
Outlet Diameter	inch	3"	3"	3"	3"	4"	4"	4"	4"	5"	5"
Water Connections (Desuperheater)											
Type		Male GAS Threaded									
Inlet Diameter	inch	1"	1"	1"	1"	1"	1"	1"	1"	1"	1"
Outlet Diameter	inch	1"	1"	1"	1"	1"	1"	1"	1"	1"	1"
Weight											
Shipping	kg	2.300	2.300	2.404	2.451	2.892	2.999	3.673	3.793	4.362	4.480
Operating	kg	2.336	2.336	2.440	2.512	2.955	3.062	3.754	3.875	4.446	4.565
Additional weight											
Desuperheater versions	kg	49	49	49	49	62	62	73	73	83	83
Dimensions											
Length	mm	3.500	3.500	3.500	3.500	4.550	4.550	5.600	5.600	6.650	6.650
Width	mm	2.150	2.150	2.150	2.150	2.150	2.150	2.150	2.150	2.150	2.150
Height	mm	2.500	2.500	2.500	2.500	2.500	2.500	2.500	2.500	2.500	2.500
Acoustical data											
Sound power level ⁵	dB(A)	88	88	89	89	90	91	91	91	92	92
Sound pressure level at 10 m ⁶	dB(A)	56	56	57	57	58	59	59	59	59	59

¹ Data refers to 7°C leaving chilled water temperature and 35°C condenser air temperature, according EN14511 standard.

² Data refers to 45°C leaving warm water temperature and 7°C ambient coil air temperature with 87% R.H., according EN14511 standard.

³ According to EN14825 and following COMMISSION REGULATION (EU) No 2016/2281 for comfort application chillers.

⁴ According to EN14825 and following COMMISSION REGULATION (EU) No 813/2013 for low-temperature heat pumps.

⁵ Sound levels are at fully loaded conditions. Sound power level values refer to ISO standard 3744.

⁶ Sound pressure levels refer to ISO Standard 3744, parallelepiped shape.

* Non Erp compliant following COMMISSION REGULATION (EU) No 2016/2281 for comfort application chillers.

Physical Data - SYSCROLL AIR HP_S (STD)

Standard version

Model		240	270	290	320	360	420	470	540	590	660
Nominal cooling capacity ¹	kW	186,8	212,3	228,4	243,4	281,5	324,0	370,5	409,0	451,5	492,5
Input power ¹	kW	96,3	115,5	117,9	129,4	149,7	172,0	192,4	215,4	235,6	258,9
EER ¹ / Energy Efficiency Class		1,94/G	1,84/G	1,94/G	1,88/G	1,88/G	1,88/G	1,93/G	1,90/G	1,92/G	1,90/G
EER 75%		2,25	2,08	2,54	2,44	3,11	3,05	2,77	2,79	3,03	3,00
EER 50%		3,64	3,60	3,68	3,86	3,87	3,84	3,79	4,06	4,17	3,91
EER 25%		4,30	3,91	3,88	4,05	4,12	4,18	4,72	4,62	4,33	4,30
SEER ³		3,85	3,85	4,18	3,83	4,1	4,25	4,25	4,28	4,3	4,3
η_{sc} ³		151	151	164	150	161	167	167	168*	169*	169*
Nominal heating capacity ²	kW	249,0	280,7	304,8	323,3	371,4	431,3	477,3	540,4	587,5	659,5
Input power ²	kW	81,3	94,0	102,2	103,4	119,9	140,0	149,9	167,3	183,4	202,3
COP ² / Energy Efficiency Class		3,06/B	2,99/C	2,98/C	3,13/B	3,10/B	3,08/B	3,18/B	3,23/A	3,20/A	3,26/A
SCOP /Energy efficiency Class ⁴		3,39/A+	3,50/A+	3,38/A+	3,65/A+	3,51/A+	3,64/A+	3,49/A+	-	-	-
η_{sh} ⁴		132	137	132	143	137	143	136	-	-	-
Number of refrigerant circuits		2	2	2	2	2	2	2	2	2	2
Total capacity steps	%	31-62-100	33-67-100	30-60-100	27-64-100	23-46-69-100	25-50-75-100	24-47-65-82-100	20-40-60-80-100	14-29-43-62-81-100	17-33-50-67-83-100
Compressor											
Number		3	3	3	3	4	4	5	5	6	6
Type		Scroll									
N° of loading stages		0/100	0/100	0/100	0/100	0/100	0/100	0/100	0/100	0/100	0/100
Evaporator											
Number / Type		1 / Plate									
Water flow Cooling ¹	m ³ /h	32,2	36,7	39,5	42,0	48,6	55,9	63,9	70,6	77,9	85,0
Water pressure drop Cooling ¹	kPa	31	40	46	21	28	36	28	34	32	38
Water flow Heat Pump ²	m ³ /h	42,6	48,0	52,1	55,4	63,6	73,8	81,8	92,6	100,6	112,9
Water pressure drop Heat Pump ²	kPa	53	67	79	36	47	62	45	57	53	66
Water volume	l	14	14	14	24	24	24	32	32	39	39
Antifreeze Heater	W	130	130	130	130	130	130	130,0	130	130	130
Air cooled condenser											
Number of coils		5	5	6	6	7	8	9	10	11	12
Total coil face area per coil	m ²	2,4	2,4	2,4	2,4	2,4	2,4	2,4	2,4	2,4	2,4
Fans											
Number of fans		5	5	6	6	7	8	9	10	11	12
Nominal speed	rpm	550	550	550	550	550	550	550	550	550	550
Total airflow	m ³ /h	67.500	67.500	81.000	81.000	94.500	108.000	121.500	135.000	148.500	162.000
Total input power	kW	4,5	4,5	5,4	5,4	6,3	7,2	8,1	9,0	9,9	10,8
Water Connections (Evaporator)											
Type		Male GAS Threaded					Victaulic				
Inlet Diameter	inch	3"	3"	3"	3"	4"	4"	4"	4"	5"	5"
Outlet Diameter	inch	3"	3"	3"	3"	4"	4"	4"	4"	5"	5"
Water Connections (Desuperheater)											
Type		Male GAS Threaded									
Inlet Diameter	inch	1"	1"	1"	1"	1"	1"	1"	1"	1"	1"
Outlet Diameter	inch	1"	1"	1"	1"	1"	1"	1"	1"	1"	1"
Weight											
Shipping	kg	2.300	2.300	2.404	2.451	2.892	2.999	3.673	3.793	4.362	4.480
Operating	kg	2.336	2.336	2.440	2.512	2.955	3.062	3.754	3.875	4.446	4.565
Additional weight											
Desuperheater versions	kg	49	49	49	49	62	62	73	73	83	83
Dimensions											
Length	mm	3.500	3.500	3.500	3.500	4.550	4.550	5.600	5.600	6.650	6.650
Width	mm	2.150	2.150	2.150	2.150	2.150	2.150	2.150	2.150	2.150	2.150
Height	mm	2.500	2.500	2.500	2.500	2.500	2.500	2.500	2.500	2.500	2.500
Acoustical data											
Sound power level ⁵	dB(A)	85	86	87	87	88	88	89	89	90	90
Sound pressure level at 10 m ⁶	dB(A)	53	54	55	55	56	56	57	57	57	57

¹ Data refers to 7°C leaving chilled water temperature and 35°C condenser air temperature, according EN14511 standard.

² Data refers to 45°C leaving warm water temperature and 7°C ambient coil air temperature with 87% R.H., according EN14511 standard.

³ According to EN14825 and following COMMISSION REGULATION (EU) No 2016/2281 for comfort application chillers.

⁴ According to EN14825 and following COMMISSION REGULATION (EU) No 813/2013 for low-temperature heat pumps.

⁵ Sound levels are at fully loaded conditions. Sound power level values refer to ISO standard 3744.

⁶ Sound pressure levels refer to ISO Standard 3744, parallelepiped shape.

* Non Erp compliant following COMMISSION REGULATION (EU) No 2016/2281 for comfort application chillers.

Physical Data - SYSCROLL AIR TR

Total Recovery Version

Model		240	270	290	320	360	420	470	540	590	660
Nominal cooling capacity ¹	kW	233,7	266,1	280,1	321,2	365,4	413,9	474,9	535,1	596,3	659,2
Input power ¹	kW	79,7	94,2	102,3	101,3	117,8	139,4	147,1	171,4	181,4	205,7
EER ¹		2,93	2,83	2,74	3,17	3,10	2,97	3,23	3,12	3,29	3,21
Total Heat rejection ¹	kW	313,4	360,3	382,5	422,6	483,2	553,3	622,0	706,5	777,7	864,9
Number of refrigerant circuits		2	2	2	2	2	2	2	2	2	2
Total capacity steps	%	31-62-100	33-67-100	30-60-100	27-64-100	23-46-69-100	25-50-75-100	24-47-65-82-100	20-40-60-800-100	14-29-43-62-81-100	17-33-50-67-83-100
Compressor											
Number		3	3	3	3	4	4	5	5	6	6
Type		Scroll									
Oil type		POE									
N° of loading stages		0/100	0/100	0/100	0/100	0/100	0/100	0/100	0/100	0/100	0/100
Evaporator											
Number		1									
Type		Plate									
Water flow	m³/h	40,4	46,0	48,5	55,4	63,1	71,5	82,0	92,4	103,0	113,9
Water pressure drop	kPa	48	62	68	36	46	58	45	57	55	67
Water volume	l	14	14	14	24	24	24	32	32	39	39
Inlet /outlet water connection	inch	3"	3"	3"	3"	4"	4"	4"	4"	5"	5"
Recovery Condenser											
Number		1									
Type		Plate									
Water flow	m³/h	53,5	61,4	65,2	72,3	82,6	94,5	106,4	120,7	132,9	147,6
Water pressure drop	kPa	83	108	121	59	77	99	74	95	91	111
Water volume	l	14	14	14	24	24	24	32	32	39	39
Inlet /outlet water connection	inch	3"	3"	3"	3"	4"	4"	4"	4"	5"	5"
Weight											
Shipping	kg	1.918	1.919	2.011	2.111	2.506	2.616	3.143	3.256	3.705	3.801
Operating	kg	1.946	1.947	2.039	2.160	2.554	2.665	3.218	3.331	3.793	3.889
Dimensions											
Length	mm	3.500	3.500	3.500	3.500	4.550	4.550	5.600	5.600	6.650	6.650
Width	mm	2.150	2.150	2.150	2.150	2.150	2.150	2.150	2.150	2.150	2.150
Height	mm	2.500	2.500	2.500	2.500	2.500	2.500	2.500	2.500	2.500	2.500

¹ Data refers to 7°C leaving chilled water temperature and 45°C leaving condenser water temperature.

Physical Data - SYSCROLL AIR RE

Remote Evaporator

Model		240	270	290	320	360	420	470	540	590	660
SYSCROLL AIR RE_ - (STD)											
Nominal cooling capacity ¹	kW	267,5	303,1	330,7	349,9	403,2	466,2	518,8	594,9	650,4	726,7
Input power ²	kW	76,8	92,8	95,4	103,8	119,0	138,4	148,6	170,6	182,7	204,9
Refrigerant In connections	inch	1 5/8" - 2 1/8"	1 5/8" - 2 1/8"	1 5/8" - 2 1/8"	1 5/8" - 2 1/8"	2 1/8"	2 1/8"	2 1/8" - 2 5/8"	2 1/8" - 2 5/8"	2 5/8"	2 5/8"
Refrigerant Out connections	inch	7/8" - 1 1/8"	7/8" - 1 1/8"	7/8" - 1 3/8"	7/8" - 1 3/8"	1 1/8" - 1 3/8"	1 3/8"	1 3/8"	1 3/8"	1 3/8"	1 3/8"
SYSCROLL AIR RE_ - (L)											
Nominal cooling capacity ¹	kW	256,7	288,7	316,7	333,9	385,4	444,8	495,9	567,7	621,5	693,4
Input power ²	kW	80,9	98,4	100,6	109,6	125,8	146,1	157,0	180,1	193,1	216,4
Refrigerant In connections	inch	1 5/8" - 2 1/8"	1 5/8" - 2 1/8"	1 5/8" - 2 1/8"	1 5/8" - 2 1/8"	2 1/8"	2 1/8"	2 1/8" - 2 5/8"	2 1/8" - 2 5/8"	2 5/8"	2 5/8"
Refrigerant Out connections	inch	7/8" - 1 1/8"	7/8" - 1 1/8"	7/8" - 1 3/8"	7/8" - 1 3/8"	1 1/8" - 1 3/8"	1 3/8"	1 3/8"	1 3/8"	1 3/8"	1 3/8"
SYSCROLL AIR RE_ - (S)											
Nominal cooling capacity ¹	kW	236,4	262,0	327,2	304,4	352,6	405,5	453,6	517,5	568,1	632,2
Input power ²	kW	89,2	109,2	110,5	120,7	139,2	161,0	173,5	198,4	213,1	238,3
Refrigerant In connections	inch	1 5/8" - 2 1/8"	1 5/8" - 2 1/8"	1 5/8" - 2 1/8"	1 5/8" - 2 1/8"	2 1/8"	2 1/8"	2 1/8" - 2 5/8"	2 1/8" - 2 5/8"	2 5/8"	2 5/8"
Refrigerant Out connections	inch	7/8" - 1 1/8"	7/8" - 1 1/8"	7/8" - 1 3/8"	7/8" - 1 3/8"	1 1/8" - 1 3/8"	1 3/8"	1 3/8"	1 3/8"	1 3/8"	1 3/8"
Weight											
Shipping	kg	1.670	1.671	1.790	1.802	2.185	2.296	2.747	2.860	3.237	3.333
Additional weight											
HT/HPF versions	kg	50	50	60	60	70	80	90	100	110	120
Dimensions											
Length	mm	3.500	3.500	3.500	3.500	4.550	4.550	5.600	5.600	6.650	6.650
Width	mm	2.150	2.150	2.150	2.150	2.150	2.150	2.150	2.150	2.150	2.150
Height	mm	2.500	2.500	2.500	2.500	2.500	2.500	2.500	2.500	2.500	2.500

¹ Data refers to 7°C evaporating temperature and 35°C condenser inlet air temperature.

² Input power (only compressors).

N.B. For additional technical data regarding compressors, fan motors and noise, please refer to correspondent CO unit.

Electrical Data

Compressors @ 400 V/3 Ph/50 Hz

Model	Power input nominal Cond. compressor	Nom. Cond. current compressor	Power input max. Cond. compressor	Max. running current compressor FLA	Starting current compressor LRA	Nominal power factor	Unit fuse size	Cable section
	kW	A	kW	A	A	kW		
240	26,7	43,1	39,0	66	287	0,89	250	120
	21,1	33,6	32,0	53	210	0,91		
	21,1	33,6	32,0	53	210	0,91		
270	26,7	43,1	39,0	66	287	0,89	250	120
	26,7	43,1	39,0	66	287	0,89		
	26,7	43,1	39,0	66	287	0,89		
290	26,7	43,1	39,0	66	287	0,89	315	185
	26,7	43,1	39,0	66	287	0,89		
	32,7	53,7	49,0	81	298	0,88		
320	26,7	43,1	39,0	66	287	0,89	315	185
	32,7	53,7	49,0	81	298	0,88		
	32,7	53,7	49,0	81	298	0,88		
360	26,7	43,1	39,0	66	287	0,89	400	240
	26,7	43,1	39,0	66	287	0,89		
	26,7	43,1	39,0	66	287	0,89		
	32,7	53,7	49,0	81	298	0,88		
420	32,7	53,7	49,0	81	298	0,88	400	240
	32,7	53,7	49,0	81	298	0,88		
	32,7	53,7	49,0	81	298	0,88		
	32,7	53,7	49,0	81	298	0,88		
470	32,5	55,3	45,0	82,6	480	0,85	500	2 x 185
	32,5	55,3	45,0	82,6	480	0,85		
	25,6	44,0	36,1	65,4	310	0,84		
	25,6	44,0	36,1	65,4	310	0,84		
	25,6	44,0	36,1	65,4	310	0,84		
540	32,5	55,3	45,0	82,6	480	0,85	500	2 x 185
	32,5	55,3	45,0	82,6	480	0,85		
	32,5	55,3	45,0	82,6	480	0,85		
	32,5	55,3	45,0	82,6	480	0,85		
	32,5	55,3	45,0	82,6	480	0,85		
590	25,6	44,0	36,1	65,4	310	0,84	630	2 x 185
	25,6	44,0	36,1	65,4	310	0,84		
	25,6	44,0	36,1	65,4	310	0,84		
	32,5	55,3	45,0	82,6	480	0,85		
	32,5	55,3	45,0	82,6	480	0,85		
	32,5	55,3	45,0	82,6	480	0,85		
660	32,5	55,3	45,0	82,6	480	0,85	630	2 x 185
	32,5	55,3	45,0	82,6	480	0,85		
	32,5	55,3	45,0	82,6	480	0,85		
	32,5	55,3	45,0	82,6	480	0,85		
	32,5	55,3	45,0	82,6	480	0,85		

Electrical Data

Fans @ 400 V/3 Ph/50 Hz

- Version	Number of fans	Nominal power per fan	Max. running per fan	Total fan power	Total max. fan current
		(kW) Δ	(A) Δ	(kW) Δ	(A) Δ
240	5	2,1	4,1	10,5	20,5
270	5	2,1	4,1	10,5	20,5
290	6	2,1	4,1	12,6	24,6
320	6	2,1	4,1	12,6	24,6
360	7	2,1	4,1	14,7	28,7
420	8	2,1	4,1	16,8	32,8
470	9	2,1	4,1	18,9	36,9
540	10	2,1	4,1	21,0	41,0
590	11	2,1	4,1	23,1	45,1
660	12	2,1	4,1	25,2	49,2

L/S Version	Number of fans	Nominal power per fan	Max. running per fan	Total fan power	Total max. fan current
		(kW) Δ	(A) Δ	(kW) Δ	(A) Δ
240	5	1,2	2,2	5,8	11,0
270	5	1,2	2,2	5,8	11,0
290	6	1,2	2,2	6,9	13,2
320	6	1,2	2,2	6,9	13,2
360	7	1,2	2,2	8,1	15,4
420	8	1,2	2,2	9,2	17,6
470	9	1,2	2,2	10,4	19,8
540	10	1,2	2,2	11,5	22,0
590	11	1,2	2,2	12,7	24,2
660	12	1,2	2,2	13,8	26,4

HT/HPF Version	Number of fans	Nominal power per fan	Max. running per fan	Total fan power	Total max. fan current
		(kW) Δ	(A) Δ	(kW) Δ	(A) Δ
240	5	3,1	4,8	15,5	24,0
270	5	3,1	4,8	15,5	24,0
290	6	3,1	4,8	18,6	28,8
320	6	3,1	4,8	18,6	28,8
360	7	3,1	4,8	21,7	33,6
420	8	3,1	4,8	24,8	38,4
470	9	3,1	4,8	27,9	43,2
540	10	3,1	4,8	31,0	48,0
590	11	3,1	4,8	34,1	52,8
660	12	3,1	4,8	37,2	57,6

Electrical Data

Units @ 400 V/3 Ph/50 Hz

- Version			240	270	290	320	360	420	470	540	590	660
Current input (A)	Nominal	A	131	150	165	175	212	248	280	318	343	381
	Maximum	A	193	219	238	253	308	357	398	454	489	545
Power input (kW)	Nominal	kW	79	91	99	105	128	148	161	184	197	220
	Maximum	kW	114	128	140	150	181	213	217	246	266	295
Max Start-up current (A)		A	414	440	455	470	525	574	796	851	887	942

L/S Version			240	270	290	320	360	420	470	540	590	660
Current input (A)	Nominal	A	121	140	153	164	198	232	262	299	322	358
	Maximum	A	183	209	226	241	294	342	381	435	468	522
Power input (kW)	Nominal	kW	75	86	93	99	121	140	152	174	187	209
	Maximum	kW	109	123	134	144	174	205	209	237	256	284
Max Start-up current (A)		A	404	430	443	458	511	559	779	832	866	919

L/S Version			240	270	290	320	360	420	470	540	590	660
Current input (A)	Nominal	A	134	153	169	179	217	253	286	325	351	390
	Maximum	A	196	222	242	257	313	362	405	461	497	553
Power input (kW)	Nominal	kW	84	96	105	111	135	156	170	194	208	232
	Maximum	kW	119	133	146	156	188	221	226	256	277	307
Max Start-up current (A)		A	417	443	459	474	530	579	802	858	894	951

Pump data

Model	Low Pressure		High Pressure	
	Nominal power	Max. running current	Nominal power	Max. running current
	kW	A	kW	A
240	4,00	7,63	5,50	10,4
270	4,00	7,63	5,50	10,4
290	4,00	7,63	7,50	14,0
320	4,00	7,63	7,50	14,0
360	7,50	14,0	11,0	20,3
420	7,50	14,0	11,0	20,3
470	7,50	14,0	11,0	20,3
540	11,0	20,3	15,0	26,0
590	11,0	20,3	15,0	26,0
660	11,0	20,3	15,0	26,0

Electrical Data

Units with std pressure pump @ 400 V/3 Ph/50 Hz

- Version			240	270	290	320	360	420	470	540	590	660
Current input (A)	Nominal	A	138	157	172	183	226	262	294	338	363	402
	Maximum	A	200	226	245	260	322	371	412	474	509	565
Power input (kW)	Nominal	kW	83	95	103	109	135	155	168	195	208	231
	Maximum	kW	118	132	144	154	188	220	225	257	277	306
Max Start-up current (A)		A	421	447	462	477	539	588	810	872	907	963

L/S Version			240	270	290	320	360	420	470	540	590	660
Current input (A)	Nominal	A	129	148	161	171	212	246	276	319	342	379
	Maximum	A	191	217	234	249	308	356	395	455	489	542
Power input (kW)	Nominal	kW	79	90	97	103	128	148	160	185	198	220
	Maximum	kW	113	127	138	148	182	213	216	248	267	295
Max Start-up current (A)		A	412	438	451	466	525	573	793	853	886	940

L/S Version			240	270	290	320	360	420	470	540	590	660
Current input (A)	Nominal	A	142	161	176	187	231	267	300	345	371	410
	Maximum	A	204	230	249	264	327	376	419	481	517	574
Power input (kW)	Nominal	kW	88	100	109	115	142	163	177	205	219	243
	Maximum	kW	123	137	150	160	195	228	234	267	288	318
Max Start-up current (A)		A	425	451	466	481	544	593	816	879	915	971

Units with high pressure pump @ 400 V/3 Ph/50 Hz

- Version			240	270	290	320	360	420	470	540	590	660
Current input (A)	Nominal	A	141	160	179	189	232	268	300	344	369	407
	Maximum	A	203	229	252	267	328	377	419	480	515	571
Power input (kW)	Nominal	kW	85	96	106	112	139	159	172	199	212	235
	Maximum	kW	119	133	147	157	192	224	228	261	281	310
Max Start-up current (A)		A	424	450	469	484	545	594	816	877	913	968

L/S Version			240	270	290	320	360	420	470	540	590	660
Current input (A)	Nominal	A	132	151	167	178	219	253	283	325	348	384
	Maximum	A	193	219	240	255	315	362	402	461	494	548
Power input (kW)	Nominal	kW	80	91	101	107	132	151	163	189	202	224
	Maximum	kW	114	128	141	151	185	216	220	252	271	299
Max Start-up current (A)		A	414	440	457	472	532	579	799	858	892	945

L/S Version			240	270	290	320	360	420	470	540	590	660
Current input (A)	Nominal	A	145	164	183	193	237	274	306	351	377	416
	Maximum	A	206	232	256	271	333	383	425	487	523	579
Power input (kW)	Nominal	kW	90	101	112	118	146	167	181	209	223	247
	Maximum	kW	124	138	153	163	199	232	237	271	292	322
Max Start-up current (A)		A	427	453	473	488	550	600	822	884	920	977

Fan Data - HPF Version

SYSCROLL 240-660 AIR HPF

Model	Fan Static Pressure (Pa)	Fan RPM	Parameter in Service Level: Max Speed (Vdc)
240-660	0	900	8,1
	25	950	8,5
	56	1.000	9,0
	88	1.050	9,4
	124	1.100	10,0

Sound Levels

Model	Frequency (Hz)							Sound Power dB(A)	Sound Pressure dB(A)*
	125	250	500	1000	2000	4000	8000		
SYS CO/HP									
240	88	86	93	89	83	69	56	93	61
270	88	86	93	89	83	69	56	93	61
290	87	86	95	88	85	69	60	94	62
320	88	86	95	88	86	69	60	94	62
360	89	86	95	89	85	69	61	94	62
420	89	88	96	90	84	71	58	95	63
470	89	87	96	90	84	70	59	95	63
540	88	87	96	91	86	71	59	96	64
590	88	87	96	92	86	71	59	96	64
660	89	88	97	92	87	71	57	97	64
SYS L CO/HP									
240	87	85	87	81	83	68	56	88	56
270	88	85	87	81	83	68	56	88	56
290	88	85	88	82	84	69	57	89	57
320	88	86	88	82	83	69	58	89	57
360	88	84	90	81	84	69	57	90	58
420	87	86	90	86	82	67	55	91	59
470	88	85	91	86	82	67	60	91	59
540	87	86	91	87	82	66	57	91	59
590	89	86	91	88	82	67	57	92	59
660	89	86	92	88	82	67	60	92	59
SYS S CO/HP									
240	85	82	85	80	76	69	50	85	53
270	77	71	83	81	82	69	53	86	54
290	86	83	86	80	82	67	55	87	55
320	87	84	86	80	82	69	57	87	55
360	87	85	87	81	83	68	56	88	56
420	88	85	87	81	83	68	56	88	56
470	88	85	88	82	84	69	57	89	57
540	87	86	88	81	84	70	57	89	57
590	86	85	90	85	79	68	52	90	57
660	86	86	91	85	79	68	52	90	57
SYS HT** CO/HP									
240	88	89	93	92	83	71	56	95	63
270	88	90	93	92	83	69	56	95	63
290	87	91	95	93	85	71	62	96	64
320	88	92	95	93	86	72	60	96	64
360	89	91	95	93	85	69	61	96	64
420	89	91	96	94	84	71	66	97	65
470	89	92	96	94	86	70	65	97	65
540	90	92	96	95	87	72	64	98	66
590	90	93	96	95	86	73	65	98	66
660	91	93	97	95	87	73	65	98	66

* Sound pressure level at 10 m. Values refers to ISO Standard 3744 with parallepiped shape.

** Sound data valid in max air flow rate condition.

Cooling Capacities - SYSCROLL AIR CO/HT/HPF - _Version

Model	LWT °C	Condensing Air Temperature °C											
		25			30			32			35		
		Cool	Input Power (*)	Pressure Drop	Cool	Input Power (*)	Pressure Drop	Cool	Input Power (*)	Pressure Drop	Cool	Input Power (*)	Pressure Drop
		kW	kW	kPa	kW	kW	kPa	kW	kW	kPa	kW	kW	kPa
240	5	254,4	58,5	56	240,0	65,2	50	233,8	68,1	48	224,2	72,9	44
	7	271,5	59,7	64	256,0	66,5	57	249,4	69,5	54	239,1	74,3	50
	9	288,6	61,0	72	272,1	67,8	64	265,0	70,8	61	254,1	75,7	56
	11	305,7	62,2	80	288,1	69,1	71	280,6	72,1	68	269,0	77,0	62
	13	322,8	63,4	89	304,1	70,4	79	296,2	73,5	75	283,9	78,4	69
	15	339,9	64,7	98	320,2	71,7	87	311,8	74,8	83	298,9	79,8	77
270	18	365,6	66,5	113	344,2	73,7	101	335,2	76,8	96	321,3	81,8	88
	5	287,3	70,3	71	270,6	78,2	63	263,5	81,7	60	252,4	87,3	55
	7	306,1	71,9	80	288,2	80,0	71	280,6	83,5	68	268,8	89,1	62
	9	324,9	73,6	90	305,8	81,7	80	297,7	85,2	76	285,1	90,9	70
	11	343,7	75,2	100	323,4	83,4	89	314,8	87,0	85	301,5	92,7	78
	13	362,5	76,9	111	341,0	85,1	99	331,9	88,7	94	317,9	94,4	86
290	15	381,3	78,5	123	358,6	86,8	109	349,0	90,5	103	334,2	96,2	95
	18	409,5	80,9	141	385,0	89,4	125	374,7	93,1	119	358,7	98,9	109
	5	307,2	72,5	81	290,0	80,5	72	282,6	84,1	69	271,1	89,8	63
	7	327,8	74,1	91	309,2	82,2	82	301,4	85,8	78	289,1	91,5	72
	9	348,3	75,7	103	328,5	83,9	92	320,1	87,5	87	307,1	93,2	81
	11	368,8	77,2	115	347,8	85,5	103	338,9	89,2	98	325,0	95,0	90
320	13	389,4	78,8	128	367,1	87,2	114	357,7	90,8	108	343,0	96,7	100
	15	409,9	80,4	141	386,4	88,8	126	376,4	92,5	120	361,0	98,4	110
	18	440,7	82,7	163	415,3	91,3	145	404,6	95,1	138	388,0	101,0	127
	5	339,4	79,8	40	319,3	88,4	35	310,8	92,2	33	297,6	98,3	31
	7	362,0	81,7	45	340,4	90,4	40	331,3	94,3	38	317,0	100,4	35
	9	384,6	83,6	50	361,4	92,4	45	351,7	96,3	42	336,5	102,4	39
360	11	407,2	85,5	56	382,5	94,4	50	372,1	98,3	47	355,9	104,5	43
	13	429,8	87,4	62	403,5	96,4	55	392,5	100,3	52	375,4	106,6	48
	15	452,4	89,3	68	424,6	98,4	61	412,9	102,4	57	394,8	108,6	53
	18	486,3	92,2	79	456,1	101,4	69	443,5	105,4	66	424,0	111,7	60
	5	386,5	90,7	51	364,5	101,0	45	355,1	105,5	43	340,5	112,7	40
	7	412,9	92,9	57	389,1	103,2	51	379,0	107,8	49	363,3	115,0	45
420	9	439,2	95,0	65	413,7	105,5	58	403,0	110,0	55	386,2	117,4	51
	11	465,6	97,2	72	438,3	107,7	64	426,9	112,3	61	409,0	119,7	56
	13	491,9	99,3	80	463,0	109,9	71	450,8	114,6	68	431,8	122,0	63
	15	518,3	101,5	89	487,6	112,2	79	474,7	116,9	75	454,7	124,3	69
	18	557,8	104,7	102	524,5	115,5	91	510,5	120,3	86	488,9	127,8	79
	5	443,9	105,8	66	418,2	117,3	59	407,3	122,3	56	390,2	130,5	52
470	7	474,0	108,3	75	446,2	119,9	67	434,4	125,0	63	416,1	133,2	58
	9	504,1	110,9	84	474,2	122,6	75	461,6	127,7	71	442,0	136,0	65
	11	534,1	113,4	94	502,2	125,2	84	488,8	130,4	79	467,9	138,7	73
	13	564,2	115,9	104	530,2	127,9	93	515,9	133,1	88	493,8	141,5	81
	15	594,3	118,4	115	558,3	130,5	102	543,1	135,8	97	519,6	144,2	89
	18	639,4	122,2	133	600,3	134,5	118	583,9	139,9	112	558,5	148,3	102
540	5	510,1	114,5	51	479,9	127,1	46	467,2	132,7	43	447,3	141,6	40
	7	536,8	116,6	57	505,3	129,3	50	492,0	135,0	48	471,2	144,0	44
	9	563,6	118,6	62	530,7	131,6	55	516,8	137,2	53	495,2	146,3	49
	11	590,4	120,7	68	556,1	133,8	61	541,6	139,5	58	519,1	148,6	53
	13	617,2	122,8	74	581,5	136,0	66	566,5	141,8	63	543,0	150,9	58
	15	644,0	124,9	81	606,9	138,2	72	591,3	144,0	68	567,0	153,3	63
590	18	684,2	128,0	91	645,0	141,5	81	628,5	147,4	77	602,9	156,8	71
	5	582,5	131,7	66	547,6	145,7	59	532,8	152,0	56	509,8	161,9	51
	7	611,8	134,0	73	575,4	148,3	65	560,0	154,6	61	536,0	164,6	57
	9	641,2	136,4	80	603,2	150,8	71	587,2	157,1	67	562,2	167,3	62
	11	670,5	138,7	87	631,0	153,3	77	614,3	159,7	74	588,4	169,9	68
	13	699,8	141,1	95	658,8	155,8	84	641,5	162,3	80	614,6	172,6	74
660	15	729,2	143,4	103	686,6	158,4	91	668,7	164,9	87	640,7	175,3	80
	18	773,2	147,0	115	728,4	162,2	102	709,4	168,8	97	680,0	179,3	90
	5	639,4	140,8	63	601,6	156,3	56	585,6	163,1	53	560,6	174,0	49
	7	674,1	143,5	70	634,3	159,1	62	617,5	166,0	59	591,3	177,0	54
	9	708,7	146,1	77	667,0	161,9	68	649,4	168,9	65	621,9	179,9	60
	11	743,4	148,8	84	699,7	164,7	75	681,2	171,7	71	652,6	182,9	65
660	13	778,1	151,5	92	732,4	167,6	82	713,1	174,6	78	683,2	185,8	71
	15	812,7	154,1	100	765,1	170,4	89	745,0	177,5	84	713,8	188,8	78
	18	864,7	158,1	113	814,1	174,6	100	792,8	181,8	95	759,8	193,2	88
	5	713,0	158,3	78	670,3	175,2	69	652,3	182,7	65	624,1	194,7	60
	7	750,7	161,3	86	705,9	178,4	76	686,9	186,0	72	657,4	198,0	66
	9	788,5	164,3	94	741,4	181,6	84	721,6	189,2	79	690,6	201,4	73
660	11	826,2	167,3	103	777,0	184,8	92	756,2	192,5	87	723,9	204,7	80
	13	864,0	170,2	112	812,5	188,0	100	790,8	195,7	95	757,1	208,0	87
	15	901,7	173,2	122	848,1	191,2	108	825,5	199,0	103	790,4	211,4	95
	18	958,3	177,7	138	901,4	195,9	122	877,4	203,8	116	840,2	216,4	107

(*) Only Compressors.

Model	LWT °C	Condensing Air Temperature °C											
		38			40			42			45		
		Cool	Input Power (*)	Pressure Drop	Cool	Input Power (*)	Pressure Drop	Cool	Input Power (*)	Pressure Drop	Cool	Input Power (*)	Pressure Drop
		kW	kW	kPa	kW	kW	kPa	kW	kW	kPa	kW	kW	kPa
240	5	214,0	78,1	40	206,9	81,8	38	199,6	85,6	35	188,2	91,7	32
	7	228,3	79,5	46	220,7	83,2	43	213,0	87,0	40	200,9	93,1	36
	9	242,5	80,9	51	234,6	84,6	48	226,3	88,4	45	213,6	94,5	40
	11	256,8	82,3	57	248,4	86,0	54	239,7	89,8	50	226,2	95,9	45
	13	271,1	83,7	63	262,2	87,4	59	253,0	91,2	56			
	15	285,3	85,0	70	276,0	88,8	66	266,4	92,6	61			
270	5	240,8	93,3	51	232,8	97,5	47	224,5	101,9	44	211,6	108,9	39
	7	256,4	95,1	57	247,8	99,4	53	239,0	103,8	50	225,3	110,8	45
	9	272,0	96,9	64	262,9	101,2	60	253,6	105,6	56	239,1	112,6	50
	11	287,6	98,7	71	278,0	103,0	67	268,1	107,5	62	252,8	114,5	55
	13	303,2	100,5	79	293,0	104,8	74	282,7	109,3	69			
	15	318,8	102,4	87	308,1	106,7	81	297,2	111,2	76			
290	5	259,1	95,9	58	250,7	100,2	55	242,1	104,7	51	228,8	111,9	46
	7	276,2	97,6	66	267,3	102,0	62	258,2	106,5	58	244,0	113,7	52
	9	293,4	99,4	74	284,0	103,8	69	274,3	108,3	65	259,2	115,5	58
	11	310,6	101,2	82	300,6	105,5	77	290,3	110,1	72	274,4	117,3	65
	13	327,7	102,9	91	317,2	107,3	86	306,4	111,9	80			
	15	344,9	104,7	101	333,8	109,1	95	322,4	113,7	89			
320	5	283,7	104,9	28	274,1	109,5	26	264,2	114,3	25	248,9	121,9	22
	7	302,2	106,9	32	291,9	111,6	30	281,4	116,4	28	265,0	124,0	25
	9	320,7	109,0	36	309,7	113,7	33	298,5	118,5	31	281,2	126,1	28
	11	339,1	111,1	40	327,6	115,8	37	315,7	120,6	34	297,4	128,2	31
	13	357,6	113,2	44	345,4	117,9	41	332,9	122,7	38			
	15	376,1	115,3	48	363,2	120,0	45	350,0	124,8	42			
360	5	325,1	120,5	36	314,5	126,0	34	303,6	131,7	32	286,6	140,7	29
	7	346,9	122,8	41	335,5	128,3	39	323,8	134,1	36	305,7	143,1	32
	9	368,6	125,2	46	356,5	130,7	43	344,1	136,4	41	324,9	145,5	36
	11	390,4	127,5	52	377,6	133,1	48	364,4	138,8	45	344,0	147,9	41
	13	412,1	129,9	57	398,6	135,4	54	384,7	141,2	50			
	15	433,9	132,2	63	419,6	137,8	59	404,9	143,6	55			
420	5	372,3	139,2	47	359,8	145,4	44	347,1	151,8	41	327,2	162,0	37
	7	396,9	142,0	53	383,6	148,2	50	369,9	154,7	47	348,7	164,9	42
	9	421,5	144,8	60	407,3	151,0	56	392,7	157,5	52	370,2	167,7	47
	11	446,1	147,6	67	431,0	153,8	62	415,6	160,3	58	391,7	170,5	52
	13	470,6	150,3	74	454,7	156,6	69	438,4	163,1	64			
	15	495,2	153,1	81	478,5	159,4	76	461,3	165,9	71			
470	5	426,5	151,2	36	412,2	158,0	34	397,4	165,0	32	374,6	176,2	29
	7	449,5	153,6	40	434,6	160,4	38	419,2	167,5	35	395,4	178,7	32
	9	472,6	156,0	44	457,0	162,8	42	440,9	169,9	39	416,1	181,2	35
	11	495,6	158,4	49	479,3	165,2	46	462,7	172,4	43	436,9	183,7	38
	13	518,6	160,8	53	501,7	167,7	50	484,4	174,9	47			
	15	541,6	163,1	58	524,1	170,1	54	506,2	177,3	51			
540	5	485,8	172,6	47	469,1	180,2	44	452,1	188,1	41	425,6	200,6	36
	7	510,9	175,4	52	493,6	183,0	48	475,8	190,9	45	448,2	203,4	40
	9	536,1	178,1	57	518,1	185,8	53	499,6	193,7	49	470,9	206,3	44
	11	561,3	180,8	62	542,5	188,5	58	523,3	196,5	54	493,5	209,1	48
	13	586,4	183,6	67	567,0	191,3	63	547,1	199,3	59			
	15	611,6	186,3	73	591,5	194,1	68	570,8	202,1	64			
590	5	534,6	185,8	45	516,5	194,1	42	498,0	202,7	39	469,3	216,3	35
	7	563,9	188,8	49	545,0	197,1	46	525,6	205,8	43	495,6	219,5	38
	9	593,3	191,8	54	573,5	200,2	51	553,3	208,9	48	521,8	222,6	42
	11	622,7	194,8	60	602,0	203,2	56	580,9	211,9	52	548,1	225,7	47
	13	652,0	197,8	65	630,5	206,2	61	608,5	215,0	57			
	15	681,4	200,8	71	659,0	209,3	67	636,1	218,1	62			
660	5	594,7	207,6	55	574,4	216,7	51	553,5	226,2	48	521,1	241,2	42
	7	626,5	211,0	60	605,2	220,1	56	583,3	229,6	53	549,4	244,7	47
	9	658,3	214,4	66	636,1	223,6	62	613,2	233,1	58	577,8	248,2	52
	11	690,2	217,8	73	666,9	227,0	68	643,1	236,6	63	606,1	251,7	57
	13	722,0	221,2	79	697,8	230,5	74	672,9	240,1	69			
	15	753,8	224,6	86	728,6	233,9	81	702,8	243,6	75			
18	801,5	229,7	97	774,9	239,1	91	747,5	248,8	85				

(*) Only Compressors. HT Version

Cooling Capacities - SYSCROLL AIR CO - L Version

Model	LWT °C	Condensing Air Temperature °C											
		25			30			32			35		
		Cool	Input Power (*)	Pressure Drop	Cool	Input Power (*)	Pressure Drop	Cool	Input Power (*)	Pressure Drop	Cool	Input Power (*)	Pressure Drop
		kW	kW	kPa	kW	kW	kPa	kW	kW	kPa	kW	kW	kPa
240	5	248,0	61,4	53	233,3	68,4	48	227,0	71,5	45	217,1	76,5	41
	7	264,0	62,9	60	248,2	70,0	54	241,5	73,1	51	230,9	78,1	47
	9	280,1	64,4	68	263,2	71,5	60	256,0	74,7	57	244,8	79,7	52
	11	296,1	65,8	75	278,2	73,0	67	270,5	76,2	63	258,7	81,3	58
	13	312,1	67,3	83	293,1	74,6	74	285,1	77,8	70	272,5	82,9	64
	15	328,2	68,8	92	308,1	76,1	81	299,6	79,4	77	286,4	84,5	70
270	18	352,2	71,0	105	330,5	78,4	93	321,4	81,7	88	307,2	86,9	81
	5	278,9	74,3	67	261,8	82,6	59	254,5	86,3	56	243,1	92,1	51
	7	296,4	76,2	75	278,0	84,6	67	270,3	88,3	63	258,1	94,2	58
	9	313,9	78,1	84	294,3	86,7	74	286,0	90,4	70	273,1	96,3	64
	11	331,3	80,1	93	310,6	88,7	82	301,8	92,4	78	288,2	98,4	71
	13	348,8	82,0	103	326,8	90,7	91	317,6	94,5	86	303,2	100,5	79
290	15	366,3	83,9	113	343,1	92,7	100	333,3	96,5	95	318,2	102,6	86
	18	392,5	86,8	130	367,5	95,8	114	357,0	99,6	108	340,7	105,7	99
	5	299,5	76,2	77	281,8	84,6	68	274,3	88,3	65	262,5	94,2	60
	7	318,8	78,0	87	299,8	86,5	77	291,7	90,2	73	279,2	96,2	67
	9	338,0	79,8	97	317,8	88,4	86	309,2	92,2	82	295,9	98,2	75
	11	357,3	81,7	108	335,8	90,3	96	326,7	94,1	91	312,6	100,2	83
320	13	376,6	83,5	120	353,8	92,3	106	344,2	96,1	101	329,2	102,2	92
	15	395,9	85,3	132	371,8	94,2	117	361,7	98,1	111	345,9	104,2	102
	18	424,8	88,1	151	398,8	97,1	134	387,9	101,0	127	371,0	107,2	116
	5	329,7	84,1	37	309,2	93,1	33	300,5	97,1	31	286,9	103,5	29
	7	350,6	86,3	42	328,5	95,4	37	319,2	99,4	35	304,7	105,8	32
	9	371,6	88,5	47	347,9	97,7	41	338,0	101,8	39	322,5	108,2	36
360	11	392,5	90,7	52	367,3	100,0	46	356,7	104,1	43	340,3	110,5	40
	13	413,4	92,9	58	386,7	102,3	51	375,5	106,4	48	358,1	112,9	44
	15	434,3	95,2	63	406,0	104,7	56	394,2	108,8	53	375,9	115,3	48
	18	465,7	98,5	72	435,1	108,1	63	422,3	112,3	60	402,6	118,8	55
	5	376,0	95,7	48	353,4	106,5	43	343,8	111,3	41	328,7	118,8	37
	7	400,5	98,2	54	376,2	109,1	48	365,9	113,9	46	349,8	121,5	42
420	9	425,0	100,7	61	399,0	111,7	54	387,9	116,5	51	370,8	124,1	47
	11	449,6	103,2	68	421,7	114,3	60	410,0	119,1	57	391,8	126,8	52
	13	474,1	105,7	75	444,5	116,9	66	432,1	121,7	63	412,9	129,5	57
	15	498,6	108,2	82	467,3	119,5	73	454,2	124,4	69	433,9	132,1	63
	18	535,4	111,9	94	501,5	123,4	83	487,3	128,3	79	465,4	136,1	72
	5	431,7	111,4	63	405,3	123,4	55	394,1	128,7	53	376,6	137,1	48
470	7	459,6	114,3	71	431,1	126,4	62	419,1	131,8	59	400,3	140,3	54
	9	487,5	117,2	79	457,0	129,5	70	444,1	134,9	66	424,1	143,4	60
	11	515,4	120,2	88	482,8	132,6	77	469,1	138,0	73	447,8	146,6	67
	13	543,3	123,1	97	508,6	135,6	86	494,1	141,1	81	471,5	149,8	74
	15	571,2	126,1	107	534,5	138,7	94	519,1	144,2	89	495,3	152,9	81
	18	613,1	130,5	123	573,2	143,3	108	556,6	148,9	102	530,9	157,6	93
540	5	495,2	120,7	49	464,3	134,0	43	451,3	139,9	41	431,0	149,2	37
	7	520,3	123,2	53	488,1	136,6	47	474,5	142,5	45	453,3	151,9	41
	9	545,5	125,6	58	511,9	139,2	52	497,7	145,2	49	475,5	154,7	45
	11	570,7	128,1	64	535,6	141,9	56	520,8	147,9	53	497,8	157,4	49
	13	595,9	130,6	69	559,4	144,5	61	544,0	150,5	58	520,1	160,1	53
	15	621,1	133,1	75	583,2	147,1	66	567,2	153,2	63	542,4	162,9	58
590	18	658,9	136,8	84	618,8	151,0	75	601,9	157,2	71	575,8	167,0	65
	5	565,2	138,7	63	529,4	153,4	55	514,3	159,9	52	490,8	170,3	48
	7	592,7	141,5	69	555,4	156,4	61	539,7	163,0	57	515,1	173,4	52
	9	620,3	144,2	75	581,4	159,3	66	565,0	166,0	63	539,5	176,5	57
	11	647,8	147,0	81	607,4	162,3	72	590,3	169,0	68	563,8	179,6	62
	13	675,4	149,8	88	633,4	165,2	78	615,7	172,0	74	588,1	182,7	68
660	15	703,0	152,5	95	659,4	168,2	84	641,0	175,0	80	612,4	185,8	73
	18	744,3	156,7	107	698,3	172,6	94	679,0	179,5	89	648,9	190,4	82
	5	620,8	148,5	59	582,2	164,8	52	565,8	172,0	50	540,4	183,4	45
	7	653,3	151,6	65	612,6	168,1	58	595,5	175,3	55	568,7	186,8	50
	9	685,7	154,8	72	643,1	171,4	63	625,1	178,6	60	597,1	190,2	55
	11	718,2	157,9	79	673,5	174,7	69	654,7	182,0	66	625,4	193,6	60
660	13	750,6	161,0	86	703,9	177,9	76	684,3	185,3	72	653,7	197,0	66
	15	783,1	164,1	93	734,3	181,2	82	713,9	188,7	78	682,1	200,5	71
	18	831,7	168,8	104	780,0	186,2	92	758,3	193,7	87	724,6	205,6	80
	5	691,8	166,7	73	648,1	184,4	64	629,6	192,3	61	600,9	204,8	56
	7	727,1	170,2	80	681,2	188,2	71	661,8	196,0	67	631,6	208,6	61
	9	762,4	173,7	88	714,3	191,9	78	694,0	199,8	74	662,4	212,5	67
660	11	797,7	177,3	96	747,3	195,6	85	726,1	203,6	80	693,2	216,4	73
	13	833,1	180,8	105	780,4	199,3	92	758,3	207,4	87	723,9	220,3	80
	15	868,4	184,3	114	813,5	203,1	100	790,5	211,2	95	754,7	224,1	87
	18	921,4	189,6	127	863,1	208,6	112	838,7	216,9	106	800,8	229,9	97

(*) Only Compressors.

Model	LWT °C	Condensing Air Temperature °C								
		38			40			42		
		Cool	Input Power (*)	Pressure Drop	Cool	Input Power (*)	Pressure Drop	Cool	Input Power (*)	Pressure Drop
		kW	kW	kPa	kW	kW	kPa	kW	kW	kPa
240	5	206,6	81,9	38	199,4	85,7	35	191,9	89,7	33
	7	219,8	83,5	42	212,1	87,4	40	204,2	91,4	37
	9	233,0	85,1	47	224,9	89,0	44	216,5	93,0	41
	11	246,2	86,8	53	237,6	90,6	49			
	13	259,4	88,4	58	250,3	92,2	54			
	15	272,6	90,0	64	263,1	93,8	60			
270	18	292,4	92,4	73	282,2	96,3	69			
	5	231,2	98,4	47	222,9	102,7	44	214,3	107,3	40
	7	245,4	100,5	52	236,6	104,9	49	227,6	109,5	45
	9	259,7	102,6	58	250,4	107,0	54	240,8	111,6	51
	11	273,9	104,7	65	264,1	109,2	60			
	13	288,2	106,8	71	277,9	111,3	67			
290	15	302,5	109,0	78	291,6	113,5	73			
	18	323,8	112,2	89	312,3	116,7	83			
	5	250,1	100,6	54	241,6	105,1	51	232,8	109,7	47
	7	266,0	102,6	61	256,9	107,1	57	247,6	111,8	53
	9	281,9	104,6	68	272,3	109,2	64	262,4	113,9	60
	11	297,8	106,7	76	287,6	111,2	71			
320	13	313,7	108,7	84	303,0	113,3	79			
	15	329,6	110,7	92	318,3	115,3	86			
	18	353,4	113,8	106	341,3	118,4	99			
	5	272,7	110,3	26	262,9	115,1	24	252,8	120,1	23
	7	289,5	112,7	29	279,1	117,5	27	268,4	122,5	25
	9	306,4	115,0	33	295,3	119,9	30	283,9	124,9	28
360	11	323,2	117,4	36	311,5	122,3	34			
	13	340,1	119,8	40	327,7	124,6	37			
	15	356,9	122,2	44	343,9	127,0	41			
	18	382,2	125,8	50	368,2	130,6	46			
	5	313,0	126,9	34	302,1	132,6	32	290,9	138,5	30
	7	333,0	129,6	38	321,3	135,3	36	309,4	141,2	33
420	9	352,9	132,3	43	340,6	138,0	40	327,9	144,0	37
	11	372,9	135,0	47	359,8	140,7	44			
	13	392,8	137,7	52	379,0	143,4	49			
	15	412,8	140,4	57	398,3	146,2	54			
	18	442,7	144,4	66	427,1	150,2	61			
	5	358,2	146,2	44	345,5	152,7	41	332,4	159,4	38
470	7	380,7	149,4	49	367,1	155,9	46	353,2	162,6	43
	9	403,1	152,6	55	388,7	159,1	51	373,9	165,8	48
	11	425,6	155,8	61	410,3	162,2	57			
	13	448,1	159,0	67	431,9	165,4	63			
	15	470,5	162,2	74	453,5	168,6	69			
	18	504,2	166,9	84	486,0	173,4	78			
540	5	409,8	159,2	34	395,1	166,2	32	380,1	173,5	29
	7	431,1	162,0	37	415,8	169,0	35	400,2	176,4	32
	9	452,5	164,8	41	436,6	171,9	38	420,2	179,3	35
	11	473,8	167,6	45	457,3	174,7	42			
	13	495,2	170,4	49	478,0	177,6	45			
	15	516,5	173,2	53	498,7	180,4	49			
590	18	548,5	177,4	59	529,7	184,6	55			
	5	466,3	181,5	43	449,3	189,4	40	431,9	197,6	37
	7	489,5	184,7	47	471,9	192,6	44	453,7	200,8	41
	9	512,8	187,8	52	494,5	195,8	48	475,6	204,0	45
	11	536,1	191,0	57	517,1	199,0	53			
	13	559,4	194,1	61	539,6	202,1	57			
660	15	582,7	197,3	66	562,2	205,3	62			
	18	617,6	202,0	74	596,1	210,1	69			
	5	513,8	195,6	41	495,4	204,3	38	476,5	213,2	36
	7	540,8	199,1	46	521,6	207,8	42	501,8	216,8	39
	9	567,9	202,6	50	547,7	211,3	47	527,1	220,3	43
	11	594,9	206,1	55	573,9	214,8	51			
660	13	622,0	209,5	60	600,1	218,3	56			
	15	649,0	213,0	65	626,3	221,8	60			
	18	689,6	218,2	73	665,6	227,1	68			
	5	570,8	218,2	50	550,1	227,6	47	528,7	237,5	44
	7	600,1	222,1	56	578,4	231,6	52	556,1	241,5	48
	9	629,5	226,1	61	606,8	235,6	57	583,5	245,5	53
660	11	658,8	230,0	67	635,2	239,6	62			
	13	688,2	233,9	72	663,6	243,5	67			
	15	717,5	237,9	78	691,9	247,5	73			
	18	761,5	243,8	88	734,5	253,5	82			

(*) Only Compressors.

Cooling Capacities - SYSCROLL AIR CO - S Version

Model	LWT °C	Condensing Air Temperature °C											
		25			30			32			35		
		Cool	Input Power (*)	Pressure Drop	Cool	Input Power (*)	Pressure Drop	Cool	Input Power (*)	Pressure Drop	Cool	Input Power (*)	Pressure Drop
		kW	kW	kPa	kW	kW	kPa	kW	kW	kPa	kW	kW	kPa
240	5	235,8	67,3	49	220,4	74,9	43	213,8	78,3	40	203,4	83,7	37
	7	249,8	69,2	54	233,4	76,9	48	226,3	80,3	45	215,3	85,7	41
	9	263,9	71,1	60	246,3	78,8	53	238,9	82,2	50	227,2	87,7	45
	11	278,0	72,9	67	259,3	80,8	58	251,4	84,2	55	239,1	89,6	50
	13	292,1	74,8	73	272,3	82,7	64	264,0	86,2	60	251,0	91,6	55
	15	306,2	76,7	80	285,3	84,7	70	276,6	88,1	66	262,9	93,6	60
270	18	327,3	79,5	91	304,8	87,6	80	295,4	91,1	75	280,8	96,6	68
	5	263,0	82,3	60	244,9	91,4	52	237,3	95,4	49	225,3	101,7	45
	7	278,0	84,7	67	258,7	94,0	58	250,6	98,0	55	237,9	104,3	49
	9	293,0	87,2	74	272,6	96,5	64	263,9	100,6	60	250,5	106,9	55
	11	308,0	89,6	81	286,4	99,1	70	277,2	103,1	66	263,1	109,5	60
	13	323,1	92,1	89	300,2	101,6	77	290,6	105,7	72	275,7	112,1	66
290	15	338,1	94,6	97	314,0	104,2	84	303,9	108,3	79	288,3	114,7	71
	18	360,6	98,3	110	334,7	108,0	95	323,9	112,1	89	307,2	118,6	81
	5	284,7	83,3	70	266,1	92,5	61	258,3	96,5	58	246,0	102,9	53
	7	301,6	85,7	78	281,8	94,9	68	273,4	98,9	64	260,3	105,4	59
	9	318,6	88,0	87	297,5	97,3	76	288,6	101,4	72	274,7	107,8	65
	11	335,5	90,3	96	313,1	99,7	84	303,7	103,8	79	289,1	110,3	72
320	13	352,5	92,7	105	328,8	102,2	92	318,9	106,3	87	303,4	112,8	79
	15	369,4	95,0	115	344,5	104,6	101	334,0	108,7	95	317,8	115,3	86
	18	394,8	98,5	131	368,0	108,2	115	356,7	112,4	108	339,4	119,0	98
	5	311,2	92,5	34	289,7	102,3	29	280,6	106,6	28	266,5	113,5	25
	7	329,1	95,3	37	306,1	105,2	33	296,4	109,5	31	281,4	116,4	28
	9	347,0	98,0	41	322,5	108,0	36	312,2	112,4	34	296,3	119,3	31
360	11	364,9	100,8	45	338,9	110,9	39	328,0	115,3	37	311,1	122,2	34
	13	382,8	103,6	50	355,3	113,8	43	343,8	118,2	41	326,0	125,1	37
	15	400,7	106,4	54	371,7	116,7	47	359,5	121,1	44	340,9	128,0	40
	18	427,6	110,6	61	396,2	121,0	53	383,2	125,4	50	363,2	132,4	45
	5	355,8	105,6	43	332,1	117,4	38	322,0	122,5	36	306,3	130,6	33
	7	377,0	108,8	48	351,5	120,6	42	340,8	125,8	40	324,0	134,0	36
360	9	398,2	111,9	54	371,0	123,9	47	359,6	129,1	44	341,8	137,3	40
	11	419,4	115,1	59	390,5	127,2	52	378,4	132,4	49	359,5	140,6	44
	13	440,5	118,3	65	410,0	130,5	57	397,1	135,7	53	377,3	144,0	48
	15	461,7	121,4	71	429,4	133,7	62	415,9	139,0	58	395,0	147,3	53
	18	493,5	126,2	81	458,6	138,6	70	444,1	144,0	66	421,7	152,3	60
	5	408,2	122,4	56	380,5	135,5	49	368,7	141,3	46	350,4	150,4	42
420	7	432,1	126,1	63	402,4	139,3	55	389,8	145,1	51	370,3	154,3	47
	9	456,1	129,8	69	424,3	143,1	61	411,0	149,0	57	390,2	158,2	52
	11	480,1	133,5	77	446,3	147,0	67	432,1	152,8	63	410,1	162,0	57
	13	504,0	137,2	84	468,2	150,8	73	453,2	156,6	69	430,0	165,9	62
	15	528,0	140,9	92	490,1	154,6	80	474,3	160,5	75	449,9	169,8	68
	18	563,9	146,5	104	523,0	160,3	90	506,0	166,3	85	479,8	175,6	77
470	5	467,0	133,0	43	434,9	147,5	38	421,4	153,8	36	400,3	163,8	32
	7	489,2	136,2	47	455,6	150,8	41	441,5	157,2	39	419,5	167,3	35
	9	511,4	139,4	52	476,4	154,2	45	461,6	160,6	42	438,7	170,7	39
	11	533,6	142,5	56	497,1	157,5	49	481,7	164,0	46	457,9	174,2	42
	13	555,8	145,7	61	517,8	160,8	53	501,9	167,4	50	477,1	177,7	45
	15	578,0	148,9	65	538,5	164,2	57	522,0	170,8	54	496,3	181,1	49
540	18	611,3	153,7	73	569,6	169,2	64	552,1	175,9	60	525,1	186,3	54
	5	532,3	152,5	56	495,1	168,6	49	479,4	175,6	46	455,0	186,9	41
	7	556,5	156,1	61	517,7	172,3	53	501,3	179,5	50	475,9	190,8	45
	9	580,8	159,7	66	540,3	176,1	57	523,3	183,3	54	496,8	194,6	49
	11	605,0	163,2	71	562,9	179,9	62	545,2	187,1	58	517,7	198,5	53
	13	629,2	166,8	77	585,5	183,6	67	567,1	190,9	63	538,6	202,4	57
590	15	653,5	170,4	83	608,1	187,4	72	589,1	194,7	68	559,6	206,3	61
	18	689,8	175,7	92	642,0	193,0	80	622,0	200,4	75	590,9	212,1	68
	5	585,4	163,6	53	545,1	181,3	46	528,1	189,0	43	501,6	201,3	39
	7	613,8	167,6	58	571,5	185,5	51	553,6	193,3	48	525,9	205,6	43
	9	642,2	171,6	63	597,8	189,7	55	579,2	197,5	52	550,2	209,9	47
	11	670,6	175,6	69	624,2	193,8	60	604,7	201,7	56	574,4	214,2	51
660	13	699,0	179,6	75	650,5	198,0	65	630,2	206,0	61	598,7	218,6	55
	15	727,4	183,6	81	676,9	202,2	70	655,7	210,2	66	623,0	222,9	60
	18	770,0	189,7	90	716,4	208,5	78	694,0	216,6	74	659,4	229,3	67
	5	651,6	183,3	65	606,1	202,6	57	586,9	211,1	53	557,0	224,6	48
	7	682,4	187,8	71	634,6	207,3	62	614,5	215,8	58	583,2	229,4	53
	9	713,1	192,3	78	663,1	212,0	67	642,1	220,6	63	609,4	234,2	57
660	11	743,9	196,8	84	691,6	216,7	73	669,7	225,3	69	635,6	239,0	62
	13	774,7	201,3	91	720,1	221,4	79	697,3	230,0	74	661,8	243,8	67
	15	805,5	205,8	98	748,7	226,0	85	724,9	234,8	80	688,0	248,6	72
	18	851,7	212,5	109	791,4	233,1	95	766,3	241,9	89	727,4	255,8	81

(*) Only Compressors.

Model	LWT °C	Condensing Air Temperature °C								
		38			40			42		
		Cool	Input Power (*)	Pressure Drop	Cool	Input Power (*)	Pressure Drop	Cool	Input Power (*)	Pressure Drop
		kW	kW	kPa	kW	kW	kPa	kW	kW	kPa
240	5	192,5	89,5	33	184,8	93,6	31	177,0	97,9	28
	7	203,7	91,5	37	195,7	95,6	34	187,4	99,9	31
	9	215,0	93,5	41	206,5	97,6	38	197,7	101,9	35
	11	226,2	95,5	45	217,3	99,6	42			
	13	237,5	97,5	49	228,1	101,6	46			
	15	248,7	99,5	54	238,9	103,6	50			
270	5	212,8	108,5	40	204,1	113,2	37	195,1	118,1	34
	7	224,6	111,1	44	215,4	115,8	41	206,0	120,8	38
	9	236,5	113,7	49	226,8	118,5	45	216,9	123,4	41
	11	248,3	116,3	54	238,2	121,1	49			
	13	260,2	119,0	59	249,6	123,7	54			
	15	272,1	121,6	64	260,9	126,3	59			
290	5	289,9	125,5	72	278,0	130,3	67			
	7	289,9	125,5	72	278,0	130,3	67			
	9	289,9	125,5	72	278,0	130,3	67			
	11	289,9	125,5	72	278,0	130,3	67			
	13	289,9	125,5	72	278,0	130,3	67			
	15	289,9	125,5	72	278,0	130,3	67			
320	5	233,1	109,7	47	224,1	114,5	44	215,0	119,6	41
	7	246,7	112,2	53	237,2	117,1	49	227,5	122,1	45
	9	260,2	114,7	59	250,3	119,6	54	240,0	124,6	50
	11	273,8	117,2	65	263,3	122,1	60			
	13	287,4	119,8	71	276,4	124,6	66			
	15	301,0	122,3	78	289,4	127,1	72			
360	5	321,4	126,0	88	309,0	130,9	82			
	7	321,4	126,0	88	309,0	130,9	82			
	9	321,4	126,0	88	309,0	130,9	82			
	11	321,4	126,0	88	309,0	130,9	82			
	13	321,4	126,0	88	309,0	130,9	82			
	15	321,4	126,0	88	309,0	130,9	82			
420	5	251,8	120,8	22	241,6	126,0	21	231,1	131,4	19
	7	265,7	123,7	25	254,9	128,9	23	243,9	134,3	21
	9	279,7	126,6	27	268,3	131,8	25	256,6	137,1	23
	11	293,6	129,5	30	281,6	134,7	28			
	13	307,6	132,4	33	295,0	137,6	30			
	15	321,6	135,4	36	308,4	140,5	33			
470	5	342,5	139,7	40	328,4	144,8	37			
	7	342,5	139,7	40	328,4	144,8	37			
	9	342,5	139,7	40	328,4	144,8	37			
	11	342,5	139,7	40	328,4	144,8	37			
	13	342,5	139,7	40	328,4	144,8	37			
	15	342,5	139,7	40	328,4	144,8	37			
540	5	289,8	139,3	29	278,4	145,4	27	266,6	151,7	25
	7	306,5	142,7	33	294,4	148,8	30	282,0	155,1	28
	9	323,2	146,0	36	310,5	152,1	33	297,3	158,5	31
	11	340,0	149,4	40	326,5	155,5	37			
	13	356,7	152,8	43	342,5	158,9	40			
	15	373,4	156,1	47	358,6	162,2	44			
590	5	398,5	161,1	54	382,6	167,3	50			
	7	398,5	161,1	54	382,6	167,3	50			
	9	398,5	161,1	54	382,6	167,3	50			
	11	398,5	161,1	54	382,6	167,3	50			
	13	398,5	161,1	54	382,6	167,3	50			
	15	398,5	161,1	54	382,6	167,3	50			
660	5	331,2	160,3	38	318,0	167,2	35	304,3	174,4	32
	7	349,9	164,1	42	335,8	171,1	39	321,4	178,3	36
	9	368,6	168,0	46	353,7	174,9	43	338,5	182,1	39
	11	387,3	171,9	51	371,6	178,8	47			
	13	406,0	175,8	56	389,5	182,6	51			
	15	424,7	179,6	61	407,4	186,5	56			
720	5	452,7	185,4	68	434,2	192,3	63			
	7	452,7	185,4	68	434,2	192,3	63			
	9	452,7	185,4	68	434,2	192,3	63			
	11	452,7	185,4	68	434,2	192,3	63			
	13	452,7	185,4	68	434,2	192,3	63			
	15	452,7	185,4	68	434,2	192,3	63			
840	5	378,3	174,5	29	363,2	182,0	27	347,6	189,9	25
	7	396,6	178,0	32	380,8	185,6	29	364,6	193,4	27
	9	414,8	181,6	35	398,4	189,1	32	381,5	197,0	30
	11	433,1	185,1	38	416,0	192,7	35			
	13	451,4	188,6	41	433,7	196,2	38			
	15	469,6	192,1	44	451,3	199,8	41			
960	5	497,0	197,4	49	477,7	205,1	45			
	7	497,0	197,4	49	477,7	205,1	45			
	9	497,0	197,4	49	477,7	205,1	45			
	11	497,0	197,4	49	477,7	205,1	45			
	13	497,0	197,4	49	477,7	205,1	45			
	15	497,0	197,4	49	477,7	205,1	45			
1080	5	429,6	198,9	37	412,0	207,4	34	394,0	216,2	31
	7	449,4	202,8	40	431,2	211,3	37	412,5	220,2	34
	9	469,3	206,8	44	450,4	215,3	40	430,9	224,1	37
	11	489,2	210,7	47	469,5	219,2	44			
	13	509,0	214,6	51	488,7	223,2	47			
	15	528,9	218,6	55	507,9	227,1	51			
1200	5	558,7	224,4	61	536,6	233,0	57			
	7	558,7	224,4	61	536,6	233,0	57			
	9	558,7	224,4	61	536,6	233,0	57			
	11	558,7	224,4	61	536,6	233,0	57			
	13	558,7	224,4	61	536,6	233,0	57			
	15	558,7	224,4	61	536,6	233,0	57			
1320	5	474,0	214,4	35	454,9	223,7	33	435,3	233,3	30
	7	497,0	218,8	39	477,1	228,0	36	456,6	237,7	33
	9	520,0	223,2	42	499,2	232,4	39	477,9	242,0	36
	11	543,0	227,5	46	521,4	236,8	42			
	13	566,0	231,9	50	543,5	241,2	46			
	15	589,0	236,2	54	565,7	245,6	50			
1440	5	623,5	242,8	60	598,9	252,1	55			
	7	623,5	242,8	60	598,9	252,1	55			
	9	623,5	242,8	60	598,9	252,1	55			
	11	623,5	242,8	60	598,9	252,1	55			
	13	623,5	242,8	60	598,9	252,1	55			
	15	623,5	242,8	60	598,9	252,1	55			
1560	5	525,8	239,0	43	504,4	249,2	40	482,3	259,7	37
	7	550,7	243,8	47	528,2	254,0	43	505,3	264,6	40
	9	575,5	248,7	51	552,1	258,9	47	528,2	269,5	43
	11	600,3	253,5	56	576,0	263,7	51			
	13	625,1	258,4	60	599,8	268,6	56			
	15	649,9	263,2	65	623,7	273,4	60			
1680	5	687,1	270,5	72	659,5	280,7	67			
	7	687,1	270,5	72	659,5	280,7	67			

(*) Only Compressors.

Cooling Capacities - SYSCROLL AIR HP STD/HT/HPF - _Version

Model	LWT °C	Condensing Air Temperature °C											
		25			30			32			35		
		Cool	Input Power (*)	Pressure Drop	Cool	Input Power (*)	Pressure Drop	Cool	Input Power (*)	Pressure Drop	Cool	Input Power (*)	Pressure Drop
		kW	kW	kPa	kW	kW	kPa	kW	kW	kPa	kW	kW	kPa
240	5	233,8	59,8	48	219,7	66,6	42	213,6	69,7	40	204,0	74,6	37
	7	249,2	61,2	54	234,0	68,1	48	227,5	71,2	45	217,3	76,1	42
	9	264,6	62,6	61	248,4	69,6	54	241,5	72,7	51	230,6	77,7	47
	11	280,1	64,0	68	262,7	71,1	60	255,4	74,2	57	243,9	79,2	52
	13	295,5	65,4	75	277,1	72,6	66	269,3	75,7	63	257,1	80,7	57
	15	310,9	66,8	83	291,4	74,1	73	283,2	77,2	69	270,4	82,3	63
270	5	273,8	71,5	65	256,6	79,6	57	249,3	83,2	54	237,8	88,8	49
	7	291,2	73,3	73	272,8	81,5	64	265,0	85,1	61	252,8	90,8	55
	9	308,7	75,2	81	289,0	83,5	72	280,7	87,1	68	267,7	92,8	62
	11	326,2	77,0	91	305,3	85,4	80	296,4	89,0	75	282,7	94,8	69
	13	343,6	78,9	100	321,5	87,3	88	312,1	91,0	83	297,6	96,8	76
	15	361,1	80,7	110	337,7	89,3	97	327,9	93,0	92	312,6	98,8	83
290	5	285,0	74,0	70	267,8	82,3	62	260,5	85,9	59	249,0	91,8	54
	7	303,7	75,8	79	285,2	84,1	70	277,4	87,8	66	265,2	93,7	61
	9	322,4	77,6	89	302,7	86,0	78	294,3	89,7	74	281,3	95,6	68
	11	341,1	79,4	99	320,1	87,9	87	311,2	91,6	83	297,4	97,5	76
	13	359,8	81,1	110	337,5	89,7	97	328,1	93,5	92	313,5	99,4	84
	15	378,5	82,9	121	354,9	91,6	107	345,0	95,3	101	329,7	101,3	93
320	5	312,2	81,6	34	292,4	90,5	30	284,0	94,4	28	270,9	100,6	26
	7	332,3	83,8	38	311,0	92,7	34	302,0	96,6	32	287,9	102,9	29
	9	352,4	85,9	43	329,5	94,9	37	319,9	98,9	35	304,9	105,2	32
	11	372,5	88,1	47	348,1	97,2	42	337,8	101,1	39	321,9	107,5	36
	13	392,6	90,2	52	366,7	99,4	46	355,8	103,4	43	338,9	109,8	39
	15	412,7	92,4	57	385,2	101,6	50	373,7	105,7	48	355,9	112,0	43
360	5	356,8	93,1	44	334,9	103,7	39	325,5	108,3	37	310,9	115,7	34
	7	380,4	95,5	49	356,8	106,2	44	346,8	110,8	41	331,1	118,3	38
	9	404,1	97,9	55	378,7	108,7	49	368,0	113,4	46	351,3	120,9	42
	11	427,7	100,3	61	400,7	111,2	54	389,3	115,9	51	371,5	123,5	47
	13	451,4	102,7	68	422,6	113,7	60	410,5	118,5	57	391,7	126,0	52
	15	475,0	105,1	75	444,5	116,2	66	431,7	121,0	63	411,9	128,6	57
420	5	510,5	108,7	86	477,4	119,9	76	463,6	124,8	72	442,2	132,5	65
	7	413,2	108,2	58	387,4	120,0	51	376,5	125,2	48	359,3	133,6	44
	9	440,3	111,0	65	412,5	122,9	57	400,7	128,2	54	382,3	136,6	50
	11	467,3	113,9	73	437,5	125,9	64	424,8	131,2	61	405,2	139,6	55
	13	494,4	116,7	81	462,5	128,9	71	449,0	134,2	67	428,1	142,6	62
	15	521,5	119,5	90	487,5	131,8	79	473,2	137,2	75	451,0	145,7	68
470	5	548,5	122,4	99	512,5	134,8	87	497,4	140,1	82	474,0	148,7	75
	7	589,1	126,6	114	550,0	139,2	99	533,6	144,6	94	508,3	153,2	86
	9	477,6	120,9	45	447,3	134,3	40	434,5	140,2	38	414,5	149,7	35
	11	502,6	123,4	50	470,9	136,9	44	457,5	142,9	42	436,5	152,4	38
	13	527,7	125,9	55	494,5	139,6	48	480,4	145,6	46	458,6	155,2	42
	15	552,7	128,3	60	518,0	142,2	53	503,4	148,3	50	480,6	157,9	46
540	5	577,8	130,8	65	541,6	144,9	58	526,3	151,0	55	502,6	160,7	50
	7	602,8	133,3	71	565,1	147,5	63	549,3	153,7	59	524,6	163,4	54
	9	640,4	137,1	80	600,5	151,5	70	583,7	157,7	67	557,6	167,6	61
	11	531,5	136,6	56	497,3	151,2	49	482,8	157,7	46	460,2	168,1	42
	13	558,2	139,3	61	522,4	154,1	54	507,3	160,7	51	483,7	171,1	46
	15	584,9	142,1	67	547,5	157,1	59	531,7	163,7	56	507,1	174,2	51
590	5	611,6	144,8	73	572,6	160,0	64	556,2	166,7	61	530,6	177,3	55
	7	638,4	147,6	79	597,8	162,9	70	580,6	169,6	66	554,0	180,3	60
	9	665,1	150,3	86	622,9	165,9	76	605,1	172,6	71	577,4	183,4	65
	11	705,1	154,5	96	660,5	170,3	85	641,8	177,1	80	612,6	188,0	73
	13	582,4	148,2	52	545,5	164,6	46	529,8	171,8	44	505,4	183,4	40
	15	613,7	151,4	58	574,7	167,9	51	558,2	175,2	48	532,5	186,8	44
660	5	644,9	154,5	64	603,9	171,2	56	586,6	178,5	53	559,7	190,2	49
	7	676,1	157,6	70	633,1	174,5	62	615,0	181,9	58	586,8	193,6	53
	9	707,3	160,7	76	662,3	177,8	67	643,4	185,2	64	614,0	197,0	58
	11	738,5	163,8	83	691,6	181,1	73	671,8	188,5	69	641,1	200,4	63
	13	785,4	168,5	93	735,4	186,0	82	714,4	193,6	78	681,8	205,6	71
	15	639,7	163,9	63	598,5	181,6	55	581,1	189,3	52	553,9	201,8	48
660	7	673,2	167,4	69	629,8	185,2	61	611,5	193,1	58	582,9	205,6	53
	9	706,7	170,9	76	661,1	188,9	67	641,9	196,8	63	612,0	209,4	58
	11	740,2	174,4	83	692,4	192,6	73	672,3	200,5	69	641,0	213,2	63
	13	773,6	177,9	91	723,7	196,3	80	702,7	204,3	75	670,0	217,0	69
	15	807,1	181,3	99	755,0	199,9	87	733,1	208,0	82	699,1	220,8	75
	18	857,3	186,6	111	801,9	205,4	97	778,7	213,6	92	742,6	226,6	84

(*) Only Compressors.

Model	LWT °C	Condensing Air Temperature °C								
		38			40			42		
		Cool	Input Power (*)	Pressure Drop	Cool	Input Power (*)	Pressure Drop	Cool	Input Power (*)	Pressure Drop
		kW	kW	kPa	kW	kW	kPa	kW	kW	kPa
240	5	194,0	79,9	33	186,9	83,7	31	179,7	87,7	29
	7	206,6	81,5	38	199,1	85,3	35	191,4	89,2	33
	9	219,2	83,0	42	211,3	86,8	39	203,1	90,8	37
	11	231,8	84,6	47	223,4	88,4	44	214,8	92,3	41
	13	244,4	86,1	52	235,6	89,9	48			
	15	257,0	87,7	57	247,8	91,5	53			
270	18	276,0	90,0	66	266,1	93,8	61			
	5	225,8	94,9	45	217,5	99,2	42	208,9	103,7	39
	7	240,0	96,9	50	231,1	101,2	47	222,0	105,7	43
	9	254,2	99,0	56	244,8	103,3	52	235,1	107,8	48
	11	268,3	101,0	62	258,4	105,3	58	248,3	109,8	54
	13	282,5	103,0	69	272,1	107,3	64			
290	15	296,7	105,0	75	285,7	109,4	70			
	18	317,9	108,1	86	306,2	112,4	80			
	5	237,0	98,0	49	228,7	102,5	46	220,1	107,1	43
	7	252,3	100,0	55	243,5	104,4	52	234,3	109,1	48
	9	267,7	101,9	62	258,3	106,4	58	248,6	111,0	54
	11	283,0	103,9	69	273,0	108,3	64	262,8	113,0	60
320	13	298,3	105,8	76	287,8	110,3	71			
	15	313,6	107,7	84	302,6	112,2	78			
	18	336,6	110,7	96	324,8	115,2	90			
	5	257,1	107,3	23	247,6	112,1	22	237,9	117,0	20
	7	273,2	109,6	26	263,1	114,4	24	252,7	119,3	23
	9	289,3	111,9	29	278,5	116,7	27	267,5	121,6	25
360	11	305,4	114,2	32	294,0	119,0	30	282,3	123,9	28
	13	321,4	116,5	36	309,4	121,3	33			
	15	337,5	118,8	39	324,8	123,6	36			
	18	361,6	122,3	45	348,0	127,0	41			
	5	295,6	123,6	30	285,0	129,2	28	274,0	135,1	26
	7	314,7	126,3	34	303,4	131,9	32	291,8	137,7	30
420	9	333,9	128,9	38	321,8	134,5	36	309,5	140,4	33
	11	353,0	131,5	43	340,3	137,1	40	327,2	143,0	37
	13	372,2	134,1	47	358,7	139,8	44			
	15	391,3	136,7	52	377,1	142,4	48			
	18	420,0	140,6	59	404,8	146,3	55			
	5	341,4	142,5	40	328,9	148,9	37	316,1	155,5	35
470	7	363,0	145,6	45	349,7	151,9	42	336,1	158,6	39
	9	384,7	148,6	50	370,5	155,0	47	356,0	161,6	43
	11	406,3	151,7	56	391,4	158,0	52	376,0	164,7	48
	13	428,0	154,7	62	412,2	161,1	57			
	15	449,7	157,8	68	433,0	164,1	63			
	18	482,1	162,3	77	464,2	168,7	72			
540	5	393,6	159,8	31	379,2	166,9	29	364,3	174,3	27
	7	414,7	162,6	35	399,6	169,8	32	384,1	177,2	30
	9	435,7	165,4	38	420,0	172,6	35	403,8	180,1	33
	11	456,8	168,2	42	440,4	175,5	39	423,5	183,0	36
	13	477,8	171,0	45	460,8	178,3	42			
	15	498,9	173,9	49	481,2	181,2	46			
590	18	530,5	178,1	55	511,8	185,4	52			
	5	436,7	179,3	38	420,4	187,1	35	403,6	195,4	33
	7	459,0	182,4	42	442,0	190,3	39	424,6	198,5	36
	9	481,4	185,5	46	463,7	193,4	43	445,5	201,7	40
	11	503,8	188,6	50	485,4	196,6	47	466,5	204,9	43
	13	526,2	191,7	55	507,1	199,7	51			
660	15	548,6	194,8	59	528,8	202,8	55			
	18	582,2	199,5	66	561,3	207,6	62			
	5	479,9	195,7	36	462,2	204,4	34	444,1	213,5	31
	7	505,7	199,2	40	487,2	207,9	37	468,2	217,1	35
	9	531,6	202,7	44	512,2	211,4	41	492,3	220,6	38
	11	557,5	206,1	48	537,2	214,9	45	516,4	224,1	42
660	13	583,3	209,6	53	562,2	218,4	49			
	15	609,2	213,1	57	587,2	222,0	53			
	18	648,0	218,3	64	624,7	227,2	60			
	5	525,5	215,2	43	505,9	224,7	40	485,7	234,5	37
	7	553,1	219,1	48	532,6	228,6	44	511,5	238,4	41
	9	580,8	222,9	52	559,3	232,4	49	537,2	242,4	45
660	11	608,4	226,8	57	586,0	236,3	53	562,9	246,3	49
	13	636,0	230,7	62	612,6	240,2	58			
	15	663,7	234,5	67	639,3	244,1	63			
	18	705,1	240,3	76	679,3	249,9	71			

(*) Only Compressors. HT Version

Heating Capacities - SYSCROLL AIR HP STD/HT/HPF - _Version

Model	LWT °C	Ambient Air Temperature °C											
		-7			-5			-3			0		
		Heat	Input Power (*)	Pressure Drop	Heat	Input Power (*)	Pressure Drop	Heat	Input Power (*)	Pressure Drop	Heat	Input Power (*)	Pressure Drop
		kW	kW	kPa	kW	kW	kPa	kW	kW	kPa	kW	kW	kPa
240	30	187,5	51,2	31	194,5	51,4	34	202,7	51,6	36	217,4	52,0	42
	35	188,4	59,3	32	195,1	59,4	34	203,1	59,6	37	217,1	59,9	41
	40	189,3	67,3	32	195,8	67,4	34	203,4	67,6	37	216,7	67,8	41
	45				196,4	75,4	34	203,7	75,5	37	216,4	75,7	41
	50										216,1	83,7	41
270	30	211,8	60,2	40	219,4	60,5	42	228,4	60,7	46	244,6	61,2	52
	35	212,9	69,1	40	220,3	69,3	43	229,0	69,6	46	244,5	70,1	52
	40	214,1	77,9	40	221,3	78,2	43	229,6	78,5	46	244,5	78,9	52
	45				222,2	87,0	43	230,2	87,3	46	244,4	87,8	52
	50										244,4	96,7	52
290	30	230,7	65,0	47	239,2	65,3	50	249,3	65,6	54	267,1	66,3	62
	35	231,4	74,5	47	239,7	74,8	50	249,3	75,2	54	266,4	75,8	61
	40	232,2	84,1	47	240,1	84,3	50	249,4	84,7	54	265,6	85,3	61
	45				240,6	93,9	50	249,4	94,2	54	264,9	94,7	61
	50										264,1	104,2	60
320	30	245,9	66,5	21	254,8	66,7	23	265,4	67,0	25	284,4	67,5	28
	35	246,6	76,4	22	255,2	76,5	23	265,3	76,8	25	283,5	77,2	28
	40	247,3	86,2	22	255,5	86,4	23	265,2	86,6	25	282,5	86,9	28
	45				255,9	96,2	23	265,2	96,4	25	281,6	96,7	28
	50										280,7	106,4	28
360	30	279,6	76,8	27	289,9	77,0	29	302,1	77,3	32	324,0	77,7	36
	35	280,8	88,2	28	290,8	88,4	30	302,6	88,7	32	323,6	89,2	36
	40	282,1	99,6	28	291,8	99,8	30	303,1	100,1	32	323,2	100,6	36
	45				292,7	111,3	30	303,6	111,5	32	322,8	112,0	36
	50										322,4	123,5	36
420	30	327,8	89,7	37	339,6	90,1	40	353,7	90,5	43	378,9	91,2	49
	35	328,8	103,1	37	340,2	103,3	40	353,7	103,7	43	377,7	104,3	48
	40	329,8	116,4	37	340,8	116,6	40	353,7	116,9	43	376,6	117,5	48
	45				341,4	129,9	40	353,7	130,1	43	375,4	130,7	48
	50										374,3	143,8	48
470	30	360,2	96,1	26	373,5	96,3	28	389,1	96,6	31	417,2	97,2	35
	35	361,7	110,3	27	374,5	110,6	28	389,6	110,9	31	416,5	111,4	35
	40	363,1	124,6	27	375,5	124,8	29	390,0	125,1	31	415,8	125,7	35
	45				376,5	139,1	29	390,5	139,4	31	415,1	139,9	35
	50										414,4	154,2	35
540	30	410,9	107,0	34	425,7	107,4	36	443,3	107,9	39	475,0	108,7	45
	35	412,1	122,9	34	426,4	123,3	36	443,3	123,7	39	473,5	124,4	45
	40	413,4	138,8	34	427,2	139,1	37	443,3	139,4	39	472,1	140,1	44
	45				427,9	154,9	37	443,3	155,2	39	470,6	155,8	44
	50										469,2	171,5	44
590	30	430,1	117,8	29	438,6	118,0	30	453,3	118,4	32	487,1	119,1	37
	35	433,0	135,1	30	441,6	135,3	31	455,9	135,6	33	488,3	136,3	37
	40	435,9	152,4	30	444,5	152,6	31	458,5	152,9	33	489,5	153,5	38
	45				447,5	169,9	32	461,1	170,1	34	490,6	170,7	38
	50										491,8	187,9	38
660	30	501,0	130,3	39	519,1	130,8	42	540,5	131,4	45	579,1	132,5	52
	35	502,5	149,3	40	519,9	149,7	42	540,5	150,2	45	577,3	151,1	52
	40	504,0	168,3	40	520,8	168,6	42	540,5	169,0	45	575,6	169,8	51
	45				521,6	187,5	42	540,4	187,8	45	573,8	188,5	51
	50										572,1	207,2	51

(*) Only Compressors.

Model	LWT °C	Ambient Air Temperature °C											
		5			7			10			15		
		Heat	Input Power (*)	Pressure Drop	Heat	Input Power (*)	Pressure Drop	Heat	Input Power (*)	Pressure Drop	Heat	Input Power (*)	Pressure Drop
		kW	kW	kPa	kW	kW	kPa	kW	kW	kPa	kW	kW	kPa
240	30	248,0	52,8	53	262,4	53,1	60	286,3	53,74	70	332,2	54,9	94
	35	246,2	60,6	53	259,8	60,9	58	282,5	61,50	69	325,9	62,6	90
	40	244,4	68,4	52	257,3	68,7	57	278,6	69,25	67	319,6	70,3	87
	45	242,5	76,3	51	254,7	76,5	56	274,8	77,01	65	313,3	78,0	84
	50	240,7	84,1	50	252,1	84,3	55	271,0	84,77	63	306,9	85,7	81
270	30	278,6	62,2	67	294,7	62,6	74	321,5	63,41	88	373,2	64,9	118
	35	277,0	71,1	66	292,3	71,5	73	317,7	72,29	86	366,7	73,7	114
	40	275,4	79,9	65	289,9	80,4	72	313,9	81,16	84	360,2	82,6	110
	45	273,8	88,8	65	287,5	89,3	71	310,2	90,04	82	353,7	91,5	106
	50	272,2	97,7	64	285,1	98,2	70	306,4	98,92	80	347,2	100,3	102
290	30	304,3	67,6	79	321,8	68,2	88	350,8	69,26	104	406,5	71,3	139
	35	301,7	77,1	78	318,3	77,7	86	345,7	78,68	101	398,4	80,7	134
	40	299,1	86,5	77	314,8	87,1	85	340,7	88,10	99	390,3	90,0	128
	45	296,5	96,0	75	311,3	96,5	83	335,6	97,52	96	382,1	99,4	123
	50	293,9	105,4	74	307,8	106,0	81	330,6	106,95	93	374,0	108,8	118
320	30	324,4	68,5	36	343,4	69,0	40	375,0	69,77	48	436,0	71,3	64
	35	321,6	78,1	36	339,6	78,6	40	369,5	79,39	46	427,2	80,9	61
	40	318,7	87,8	35	335,7	88,3	39	364,0	89,00	45	418,5	90,5	59
	45	315,8	97,5	35	331,9	97,9	38	358,5	98,62	44	409,7	100,1	57
	50	313,0	107,2	34	328,1	107,5	37	353,1	108,24	43	401,0	109,7	54
360	30	369,8	78,6	47	391,4	79,1	52	427,4	79,75	61	496,9	81,1	82
	35	367,3	90,1	46	387,9	90,5	51	422,1	91,19	60	487,9	92,5	79
	40	364,9	101,5	45	384,4	101,9	50	416,8	102,62	58	479,0	103,9	76
	45	362,4	113,0	45	380,9	113,4	49	411,5	114,06	57	470,0	115,3	74
	50	359,9	124,4	44	377,4	124,8	48	406,2	125,50	56	461,1	126,8	71
420	30	432,0	92,7	63	457,1	93,5	70	498,8	94,70	82	579,5	97,1	110
	35	428,2	105,8	62	452,0	106,5	68	491,5	107,70	80	567,8	110,1	106
	40	424,4	118,9	61	446,9	119,5	67	484,3	120,69	78	556,1	123,0	102
	45	420,6	131,9	60	441,8	132,6	65	477,0	133,68	76	544,4	135,9	98
	50	416,9	145,0	59	436,8	145,6	64	469,7	146,67	73	532,7	148,9	94
470	30	476,2	98,4	45	504,0	98,9	50	550,4	99,83	59	639,8	101,6	80
	35	472,7	112,6	44	499,2	113,1	49	543,2	114,04	58	628,0	115,8	77
	40	469,3	126,8	44	494,5	127,4	48	536,1	128,24	57	616,2	129,9	74
	45	465,9	141,1	43	489,7	141,6	48	529,0	142,45	55	604,3	144,1	71
	50	462,5	155,3	43	484,9	155,8	47	521,9	156,66	54	592,5	158,3	69
540	30	541,5	110,5	58	573,0	111,4	64	625,5	112,85	76	726,7	115,7	102
	35	536,8	126,1	57	566,7	127,0	63	616,3	128,35	74	712,0	131,1	98
	40	532,1	141,7	56	560,3	142,5	62	607,2	143,85	72	697,3	146,6	94
	45	527,3	157,3	55	553,9	158,0	60	598,0	159,36	70	682,7	162,0	90
	50	522,6	172,9	54	547,6	173,6	59	588,9	174,86	68	668,0	177,5	86
590	30	574,5	121,1	51	620,4	122,1	59	700,9	123,88	75	866,2	127,6	113
	35	571,1	138,1	51	614,4	139,1	58	690,2	140,79	73	845,4	144,2	108
	40	567,8	155,2	50	608,5	156,1	57	679,5	157,70	71	824,7	160,9	103
	45	564,4	172,3	49	602,5	173,1	56	668,8	174,61	69	803,9	177,6	98
	50	561,1	189,4	49	596,6	190,2	55	658,2	191,52	66	783,2	194,3	93
660	30	660,2	134,7	67	698,6	135,8	75	762,4	137,57	88	885,7	141,1	118
	35	654,5	153,2	66	691,0	154,2	73	751,5	155,90	86	868,3	159,2	114
	40	648,9	171,7	65	683,4	172,6	71	740,6	174,24	83	850,8	177,4	109
	45	643,2	190,2	64	675,8	191,1	70	729,7	192,57	81	833,4	195,6	105
	50	637,5	208,7	62	668,2	209,5	68	718,8	210,91	79	816,0	213,8	101

(*) Only Compressors.

Cooling Capacities - SYSCROLL AIR HP STD - L Version

Model	LWT °C	Condensing Air Temperature °C								
		25			30			32		
		Cool	Input Power (*)	Pressure Drop	Cool	Input Power (*)	Pressure Drop	Cool	Input Power (*)	Pressure Drop
		kW	kW	kPa	kW	kW	kPa	kW	kW	kPa
240	5	224,8	64,1	44	210,1	71,5	39	203,7	74,8	37
	7	238,8	65,8	50	223,0	73,3	44	216,3	76,6	41
	9	252,8	67,5	55	236,0	75,0	49	228,8	78,3	46
	11	266,9	69,2	62	249,0	76,8	54	241,4	80,1	51
	13	280,9	70,9	68	261,9	78,6	59	253,9	81,9	56
	15	295,0	72,6	75	274,9	80,3	65	266,4	83,7	61
270	18	316,0	75,1	85	294,4	83,0	74	285,2	86,4	70
	5	261,6	77,3	59	243,7	86,0	52	236,1	89,8	49
	7	277,3	79,5	66	258,1	88,3	58	250,0	92,1	54
	9	293,0	81,7	74	272,6	90,6	64	263,9	94,4	60
	11	308,7	83,9	81	287,0	92,9	71	277,9	96,8	67
	13	324,4	86,1	90	301,5	95,2	78	291,8	99,1	73
290	15	340,1	88,3	98	315,9	97,5	85	305,7	101,4	80
	18	363,7	91,6	112	337,6	100,9	97	326,7	104,9	91
	5	274,0	79,4	65	256,2	88,3	57	248,6	92,2	54
	7	291,0	81,5	73	271,9	90,5	64	263,8	94,4	60
	9	308,1	83,6	81	287,6	92,7	71	279,0	96,6	67
	11	325,1	85,8	90	303,4	94,9	79	294,2	98,8	74
320	13	342,1	87,9	99	319,1	97,1	87	309,4	101,1	82
	15	359,1	90,0	109	334,9	99,3	95	324,7	103,3	90
	18	384,7	93,1	125	358,5	102,5	109	347,5	106,6	102
	5	298,5	87,8	31	277,9	97,3	27	269,2	101,5	26
	7	316,6	90,3	35	294,4	99,9	30	285,1	104,1	28
	9	334,6	92,9	39	310,9	102,5	34	301,0	106,7	32
360	11	352,6	95,4	43	327,4	105,1	37	316,9	109,3	35
	13	370,6	97,9	47	343,9	107,7	41	332,8	112,0	38
	15	388,6	100,5	51	360,4	110,3	44	348,7	114,6	42
	18	415,6	104,2	58	385,2	114,2	50	372,5	118,5	47
	5	341,9	100,4	40	319,1	111,8	35	309,4	116,7	33
	7	363,2	103,3	45	338,7	114,7	39	328,3	119,7	37
420	9	384,5	106,1	50	358,3	117,7	44	347,2	122,7	41
	11	405,8	109,0	56	377,9	120,7	49	366,1	125,7	46
	13	427,1	111,9	61	397,4	123,6	53	385,0	128,7	50
	15	448,4	114,7	67	417,0	126,6	59	403,9	131,7	55
	18	480,3	119,0	77	446,4	131,0	67	432,2	136,2	63
	5	395,6	116,4	53	368,7	129,0	46	357,3	134,6	44
470	7	419,9	119,7	59	391,0	132,5	52	378,8	138,1	49
	9	444,2	123,1	66	413,2	135,9	58	400,2	141,6	54
	11	468,5	126,4	73	435,5	139,4	64	421,6	145,1	60
	13	492,8	129,8	81	457,7	142,9	70	443,1	148,5	66
	15	517,1	133,1	88	480,0	146,3	77	464,5	152,0	72
	18	553,5	138,1	101	513,4	151,5	87	496,6	157,2	82
540	5	456,5	130,3	42	425,1	144,7	36	411,8	151,0	34
	7	479,3	133,3	46	446,5	147,8	40	432,6	154,2	37
	9	502,2	136,3	50	467,8	151,0	44	453,3	157,4	41
	11	525,1	139,3	54	489,2	154,2	47	474,0	160,6	45
	13	548,0	142,3	59	510,6	157,3	51	494,8	163,8	48
	15	570,9	145,3	64	531,9	160,5	56	515,5	167,1	52
590	18	605,2	149,8	71	564,0	165,2	62	546,6	171,9	59
	5	507,5	146,9	51	472,0	162,7	44	457,0	169,6	42
	7	531,9	150,2	56	494,7	166,1	48	479,1	173,1	46
	9	556,3	153,5	61	517,5	169,6	53	501,1	176,6	50
	11	580,6	156,8	66	540,2	173,0	57	523,2	180,1	54
	13	605,0	160,0	71	563,0	176,5	62	545,3	183,6	58
660	15	629,4	163,3	77	585,8	179,9	67	567,4	187,1	63
	18	666,0	168,2	86	619,9	185,1	75	600,5	192,3	70
	5	556,6	159,7	48	518,3	177,3	42	502,1	185,0	39
	7	585,0	163,5	53	544,7	181,2	46	527,6	189,0	43
	9	613,4	167,2	58	571,0	185,1	51	553,2	192,9	48
	11	641,8	170,9	63	597,4	189,0	55	578,7	196,8	52
660	13	670,2	174,6	69	623,8	192,9	60	604,2	200,8	56
	15	698,6	178,3	75	650,1	196,7	65	629,8	204,7	61
	18	741,2	183,9	84	689,7	202,6	73	668,1	210,6	68
	5	610,9	176,5	58	568,2	195,4	50	550,2	203,7	47
	7	641,3	180,6	63	596,3	199,7	55	577,4	208,1	52
	9	671,6	184,7	69	624,5	204,0	60	604,6	212,4	56
660	11	702,0	188,8	75	652,6	208,3	65	631,9	216,8	61
	13	732,4	193,0	82	680,8	212,6	71	659,1	221,1	67
	15	762,7	197,1	88	708,9	216,9	77	686,4	225,5	72
	18	808,3	203,3	99	751,1	223,4	86	727,2	232,0	81

(*) Only Compressors.

Model	LWT °C	Condensing Air Temperature °C								
		35			38			40		
		Cool	Input Power (*)	Pressure Drop	Cool	Input Power (*)	Pressure Drop	Cool	Input Power (*)	Pressure Drop
		kW	kW	kPa	kW	kW	kPa	kW	kW	kPa
240	5	193,8	80,0	33	183,3	85,7	30	175,9	89,7	28
	7	205,7	81,8	37	194,5	87,5	34			
	9	217,6	83,6	42	205,7	89,3	37			
	11	229,5	85,4	46	217,0	91,1	41			
	13	241,3	87,2	51	228,2	92,9	46			
	15	253,2	89,0	56	239,4	94,7	50			
270	18	271,1	91,7	63	256,3	97,4	57			
	5	224,1	95,9	44	211,6	102,3	39	202,9	106,9	36
	7	237,3	98,2	49	224,0	104,7	44			
	9	250,5	100,6	54	236,4	107,1	49			
	11	263,6	102,9	60	248,8	109,4	54			
	13	276,8	105,3	66	261,2	111,8	59			
290	15	290,0	107,6	72	273,6	114,2	65			
	18	309,8	111,1	82	292,3	117,7	73			
	5	236,7	98,4	49	224,2	105,1	44	215,6	109,8	41
	7	251,1	100,6	55	237,9	107,3	49			
	9	265,6	102,9	61	251,5	109,6	55			
	11	280,0	105,1	67	265,1	111,9	61			
320	13	294,4	107,4	74	278,8	114,1	67			
	15	308,8	109,6	82	292,4	116,4	73			
	18	330,5	113,0	93	312,8	119,8	84			
	5	255,6	108,1	23	241,3	115,3	21	231,5	120,3	19
	7	270,6	110,8	26	255,4	117,9	23			
	9	285,6	113,4	29	269,5	120,6	26			
360	11	300,5	116,0	31	283,6	123,2	28			
	13	315,5	118,7	34	297,6	125,8	31			
	15	330,5	121,3	38	311,7	128,5	34			
	18	353,0	125,3	43	332,8	132,5	38			
	5	294,2	124,6	30	278,3	133,1	27	267,3	139,0	25
	7	312,1	127,7	34	295,1	136,1	30			
420	9	329,9	130,7	37	311,9	139,2	34			
	11	347,8	133,7	41	328,8	142,2	37			
	13	365,7	136,7	46	345,6	145,3	41			
	15	383,5	139,8	50	362,4	148,3	45			
	18	410,3	144,3	57	387,6	152,9	51			
	5	339,5	143,5	40	320,8	153,1	36	307,9	159,9	33
470	7	359,7	147,0	44	339,8	156,6	40			
	9	379,9	150,5	49	358,8	160,1	44			
	11	400,1	154,0	54	377,7	163,6	48			
	13	420,3	157,5	59	396,7	167,1	53			
	15	440,5	161,0	65	415,7	170,6	58			
	18	470,8	166,3	74	444,1	175,9	66			
540	5	391,1	161,0	31	369,5	171,8	28	354,6	179,3	26
	7	410,9	164,3	34	388,3	175,1	31			
	9	430,7	167,6	37	407,1	178,4	33			
	11	450,5	170,9	41	426,0	181,8	36			
	13	470,3	174,2	44	444,8	185,1	40			
	15	490,1	177,4	48	463,6	188,4	43			
590	18	519,8	182,3	53	491,8	193,4	48			
	5	433,6	180,7	38	409,2	192,6	34	392,4	201,0	31
	7	454,7	184,3	41	429,2	196,2	37			
	9	475,7	187,8	45	449,2	199,8	40			
	11	496,8	191,4	49	469,3	203,4	44			
	13	517,8	194,9	53	489,3	207,0	47			
660	15	538,9	198,5	57	509,3	210,6	51			
	18	570,5	203,8	64	539,3	216,0	57			
	5	476,8	197,3	36	450,4	210,4	32	432,1	219,7	30
	7	501,1	201,3	39	473,4	214,5	35			
	9	525,4	205,3	43	496,4	218,5	39			
	11	549,6	209,3	47	519,4	222,6	42			
660	13	573,9	213,3	51	542,4	226,6	46			
	15	598,2	217,3	55	565,4	230,7	50			
	18	634,6	223,3	62	599,9	236,8	56			
	5	522,1	217,0	43	492,7	231,3	38	472,5	241,4	35
	7	547,9	221,4	47	517,2	235,7	42			
	9	573,8	225,8	51	541,7	240,2	46			
660	11	599,7	230,3	55	566,1	244,6	50			
	13	625,5	234,7	60	590,6	249,1	54			
	15	651,4	239,1	65	615,1	253,5	58			
	18	690,2	245,7	73	651,8	260,2	65			

(*) Only Compressors.

Heating Capacities - SYSCROLL AIR HP STD - L Version

Model	LWT °C	Ambient Air Temperature °C											
		-7			-5			-3			0		
		Heat	Input Power (*)	Pressure Drop	Heat	Input Power (*)	Pressure Drop	Heat	Input Power (*)	Pressure Drop	Heat	Input Power (*)	Pressure Drop
		kW	kW	kPa	kW	kW	kPa	kW	kW	kPa	kW	kW	kPa
240	30	183,6	51,1	30	189,4	51,3	32	196,9	51,5	34	211,1	51,8	39
	35	184,9	59,2	31	190,5	59,3	32	197,7	59,5	35	211,3	59,8	39
	40	186,2	67,3	31	191,6	67,4	33	198,5	67,5	35	211,5	67,7	39
	45				192,8	75,4	33	199,4	75,5	35	211,7	75,7	40
	50										211,9	83,6	40
270	30	207,0	60,1	38	213,2	60,3	40	221,3	60,5	43	237,0	61,0	49
	35	208,6	69,0	38	214,7	69,2	41	222,5	69,4	43	237,5	69,9	49
	40	210,2	77,8	39	216,1	78,0	41	223,7	78,3	44	238,1	78,7	49
	45				217,6	86,9	42	224,9	87,1	44	238,7	87,6	50
	50										239,3	96,5	50
290	30	225,9	64,8	45	233,0	65,1	47	242,0	65,4	51	259,3	66,0	58
	35	227,1	74,4	45	234,0	74,6	48	242,7	74,9	51	259,3	75,5	58
	40	228,3	83,9	46	235,0	84,2	48	243,4	84,5	52	259,2	85,0	58
	45				236,0	93,7	49	244,1	94,0	52	259,1	94,5	58
	50										259,0	104,0	58
320	30	240,5	66,4	21	247,7	66,5	22	257,1	66,8	23	275,5	67,2	27
	35	241,7	76,3	21	248,7	76,4	22	257,8	76,6	24	275,4	77,0	27
	40	242,9	86,2	21	249,7	86,3	22	258,5	86,4	24	275,2	86,8	27
	45				250,7	96,1	22	259,1	96,3	24	275,1	96,5	27
	50										274,9	106,3	27
360	30	273,5	76,7	26	281,9	76,8	28	292,9	77,1	30	314,0	77,5	34
	35	275,3	88,1	27	283,5	88,3	28	294,1	88,5	30	314,4	89,0	34
	40	277,0	99,5	27	285,1	99,7	28	295,4	99,9	30	314,9	100,4	34
	45				286,7	111,1	29	296,6	111,4	31	315,3	111,8	34
	50										315,7	123,3	34
420	30	320,6	89,5	36	330,2	89,8	38	342,8	90,2	40	367,2	90,9	46
	35	322,3	102,9	36	331,7	103,1	38	343,8	103,4	41	367,1	104,1	46
	40	324,0	116,3	36	333,1	116,4	38	344,7	116,7	41	366,9	117,2	46
	45				334,5	129,8	38	345,7	130,0	41	366,8	130,4	46
	50										366,7	143,6	46
470	30	352,4	95,9	25	363,2	96,1	27	377,2	96,4	29	404,4	97,0	33
	35	354,5	110,2	26	365,1	110,4	27	378,7	110,7	29	404,7	111,2	33
	40	356,6	124,4	26	367,0	124,6	27	380,1	124,9	29	405,1	125,5	33
	45				368,9	138,9	28	381,6	139,2	30	405,4	139,7	33
	50										405,8	154,0	33
540	30	403,0	106,2	33	413,9	107,1	34	429,2	108,0	37	459,9	109,4	42
	35	404,0	122,8	33	415,7	123,0	35	430,9	123,4	37	460,1	124,1	42
	40	405,0	139,3	33	417,5	138,9	35	432,7	138,7	38	460,4	138,7	42
	45				419,3	154,8	35	434,5	154,0	38	460,6	153,4	42
	50										460,8	168,1	42
590	30	434,2	117,9	30	447,4	118,2	32	464,7	118,6	34	498,0	119,4	39
	35	436,7	135,2	30	449,7	135,5	32	466,4	135,8	34	498,3	136,5	39
	40	439,3	152,5	31	451,9	152,7	32	468,0	153,1	35	498,7	153,7	39
	45				454,2	170,0	33	469,7	170,3	35	499,0	170,9	39
	50										499,3	188,1	39
660	30	490,0	130,1	38	504,7	130,4	40	524,0	131,0	43	561,2	132,0	49
	35	492,5	149,1	38	506,9	149,4	40	525,4	149,8	43	561,0	150,7	49
	40	495,1	168,2	38	509,0	168,4	41	526,8	168,7	43	560,8	169,5	49
	45				511,1	187,4	41	528,2	187,6	43	560,5	188,2	49
	50										560,3	207,0	49

(*) Only Compressors.

Model	LWT °C	Ambient Air Temperature °C											
		5			7			10			15		
		Heat	Input Power (*)	Pressure Drop	Heat	Input Power (*)	Pressure Drop	Heat	Input Power (*)	Pressure Drop	Heat	Input Power (*)	Pressure Drop
		kW	kW	kPa	kW	kW	kPa	kW	kW	kPa	kW	kW	kPa
240	30	242,9	52,6	51	258,5	53,0	58	284,9	53,70	70	337,1	55,0	97
	35	241,5	60,5	51	256,3	60,8	57	281,2	61,46	68	330,4	62,7	93
	40	240,1	68,3	50	254,0	68,7	56	277,5	69,22	66	323,6	70,4	89
	45	238,7	76,2	50	251,8	76,5	55	273,8	76,97	65	316,9	78,0	86
	50	237,3	84,0	49	249,5	84,3	54	270,1	84,73	63	310,2	85,7	82
270	30	272,5	62,0	64	290,0	62,5	72	319,8	63,36	87	378,9	65,0	121
	35	271,4	70,9	64	288,0	71,4	71	316,2	72,24	85	372,0	73,9	117
	40	270,3	79,8	63	286,0	80,3	70	312,6	81,12	83	365,0	82,8	113
	45	269,1	88,7	63	283,9	89,2	69	308,9	90,00	82	358,1	91,6	109
	50	268,0	97,5	62	281,9	98,0	68	305,3	98,88	80	351,1	100,5	105
290	30	298,1	67,4	76	317,0	68,1	86	349,1	69,21	103	412,5	71,5	143
	35	296,0	76,8	75	313,9	77,5	84	344,2	78,63	101	403,9	80,9	137
	40	293,9	86,3	74	310,8	87,0	83	339,3	88,05	98	395,3	90,2	132
	45	291,9	95,8	73	307,7	96,4	81	334,4	97,47	95	386,7	99,6	126
	50	289,8	105,3	72	304,6	105,9	79	329,5	106,89	92	378,1	109,0	121
320	30	317,3	68,3	35	337,9	68,8	39	373,0	69,73	47	442,6	71,5	66
	35	315,0	78,0	34	334,5	78,5	38	367,7	79,34	46	433,3	81,1	63
	40	312,8	87,7	34	331,2	88,1	38	362,4	88,95	45	424,0	90,6	60
	45	310,5	97,4	33	327,8	97,8	37	357,1	98,56	44	414,7	100,2	58
	50	308,2	107,0	33	324,4	107,4	36	351,8	108,17	42	405,4	109,7	55
360	30	361,8	78,5	45	385,3	78,9	50	425,2	79,71	61	504,3	81,2	84
	35	360,0	89,9	44	382,3	90,4	50	420,1	91,15	59	494,8	92,6	81
	40	358,1	101,4	44	379,2	101,8	49	415,0	102,59	58	485,3	104,1	78
	45	356,3	112,8	43	376,2	113,3	48	409,8	114,03	57	475,8	115,5	75
	50	354,5	124,3	43	373,2	124,7	47	404,7	125,47	55	466,3	126,9	72
420	30	422,6	92,5	60	449,8	93,3	68	496,3	94,63	82	588,4	97,4	113
	35	419,6	105,5	59	445,4	106,3	66	489,2	107,62	79	575,9	110,3	109
	40	416,6	118,6	58	440,9	119,4	65	482,1	120,61	77	563,5	123,2	104
	45	413,6	131,7	58	436,4	132,4	64	475,0	133,60	75	551,0	136,1	100
	50	410,7	144,8	57	432,0	145,4	63	468,0	146,58	73	538,6	149,0	96
470	30	465,8	98,2	43	496,1	98,8	49	547,5	99,78	59	649,5	101,8	82
	35	463,2	112,4	43	491,9	113,0	48	540,6	113,98	57	636,9	115,9	79
	40	460,7	126,6	42	487,8	127,2	47	533,7	128,19	56	624,3	130,1	76
	45	458,1	140,9	42	483,7	141,4	46	526,8	142,39	55	611,7	144,2	73
	50	455,5	155,1	41	479,5	155,7	46	520,0	156,59	53	599,1	158,4	70
540	30	532,4	111,7	56	568,8	112,6	63	631,4	113,88	78	757,0	116,0	110
	35	526,0	125,8	55	558,4	126,7	61	613,4	128,26	73	722,2	131,4	101
	40	519,6	140,0	53	547,9	140,9	59	595,3	142,64	69	687,4	146,7	91
	45	513,2	154,2	52	537,5	155,0	57	577,2	157,02	65	652,6	162,0	83
	50	506,8	168,3	51	527,0	169,2	55	559,2	171,41	61	617,8	177,3	74
590	30	573,5	121,0	51	610,6	121,9	57	673,8	123,28	69	799,0	126,1	97
	35	570,2	138,1	50	605,5	138,9	57	665,3	140,24	68	783,5	142,9	93
	40	566,9	155,2	50	600,3	155,9	56	656,7	157,20	66	768,1	159,7	90
	45	563,7	172,3	49	595,1	173,0	55	648,2	174,15	64	752,7	176,5	86
	50	560,4	189,4	49	589,9	190,0	54	639,7	191,11	63	737,2	193,3	83
660	30	645,8	134,3	64	687,5	135,5	72	758,5	137,46	87	899,3	141,4	122
	35	641,4	152,9	63	680,8	153,9	71	747,9	155,79	85	880,7	159,6	117
	40	636,9	171,4	62	674,2	172,4	70	737,3	174,12	83	862,1	177,7	112
	45	632,4	189,9	61	667,5	190,8	68	726,8	192,46	80	843,6	195,8	107
	50	627,9	208,5	61	660,8	209,3	67	716,2	210,79	78	825,0	213,9	103

(*) Only Compressors.

Cooling Capacities - SYSCROLL AIR HP STD - S Version

Model	LWT °C	Condensing Air Temperature °C								
		25			30			32		
		Cool	Input Power (*)	Pressure Drop	Cool	Input Power (*)	Pressure Drop	Cool	Input Power (*)	Pressure Drop
		kW	kW	kPa	kW	kW	kPa	kW	kW	kPa
240	5	210,6	71,3	39	195,0	79,5	34	188,3	83,1	32
	7	222,5	73,5	43	205,8	81,7	37	198,7	85,3	35
	9	234,4	75,6	48	216,7	83,9	41	209,1	87,6	39
	11	246,3	77,8	53	227,5	86,1	45	219,5	89,8	42
	13	258,2	79,9	58	238,4	88,3	50	230,0	92,0	46
	15	270,1	82,1	63	249,2	90,5	54	240,4	94,2	50
270	18	288,0	85,3	71	265,5	93,9	61	256,0	97,5	57
	5	242,5	86,9	51	223,4	96,5	44	215,3	100,7	41
	7	255,4	89,6	57	235,1	99,4	48	226,5	103,5	45
	9	268,2	92,4	62	246,7	102,2	53	237,7	106,4	49
	11	281,1	95,2	68	258,4	105,1	58	248,8	109,3	54
	13	294,0	98,0	74	270,0	107,9	63	260,0	112,2	59
290	15	306,9	100,8	81	281,7	110,8	68	271,1	115,1	63
	18	326,2	105,0	91	299,1	115,1	77	287,9	119,4	71
	5	256,8	88,1	57	238,0	97,8	49	230,0	102,0	46
	7	271,3	90,7	64	251,2	100,5	55	242,7	104,8	51
	9	285,7	93,4	70	264,3	103,3	60	255,3	107,5	57
	11	300,1	96,1	77	277,5	106,0	66	267,9	110,3	62
320	13	314,5	98,7	84	290,6	108,8	73	280,6	113,1	68
	15	328,9	101,4	92	303,8	111,5	79	293,2	115,8	74
	18	350,6	105,4	104	323,5	115,6	89	312,2	120,0	83
	5	277,2	97,9	27	255,5	108,3	23	246,4	112,9	22
	7	292,0	101,0	30	268,9	111,5	25	259,1	116,1	24
	9	306,7	104,2	33	282,2	114,7	28	271,9	119,3	26
360	11	321,5	107,3	36	295,5	117,9	30	284,6	122,5	28
	13	336,2	110,5	39	308,8	121,1	33	297,3	125,7	31
	15	351,0	113,6	42	322,1	124,3	36	310,1	128,9	33
	18	373,1	118,3	47	342,1	129,1	40	329,2	133,7	37
	5	318,5	112,4	35	294,3	124,9	30	284,0	130,3	28
	7	336,1	116,0	39	310,3	128,6	33	299,3	134,0	31
420	9	353,8	119,6	43	326,3	132,3	37	314,7	137,7	34
	11	371,4	123,2	47	342,3	136,0	40	330,0	141,4	38
	13	389,1	126,8	51	358,3	139,6	44	345,4	145,1	41
	15	406,7	130,4	56	374,3	143,3	48	360,7	148,8	44
	18	433,2	135,8	63	398,2	148,8	54	383,7	154,4	50
	5	368,2	129,7	46	339,8	143,6	40	327,7	149,8	37
470	7	388,1	133,8	51	357,8	147,9	44	345,0	154,0	41
	9	408,1	138,0	56	375,8	152,1	48	362,2	158,2	45
	11	428,1	142,2	62	393,8	156,3	52	379,5	162,5	49
	13	448,0	146,4	67	411,8	160,6	57	396,7	166,7	53
	15	468,0	150,5	73	429,8	164,8	62	413,9	171,0	58
	18	498,0	156,8	82	456,9	171,2	70	439,8	177,3	65
540	5	423,7	145,5	36	390,8	161,4	31	376,9	168,3	29
	7	443,0	149,4	39	408,6	165,4	34	394,1	172,3	31
	9	462,4	153,3	43	426,4	169,4	36	411,3	176,4	34
	11	481,8	157,1	46	444,3	173,4	39	428,5	180,5	37
	13	501,2	161,0	50	462,1	177,5	43	445,7	184,5	40
	15	520,6	164,9	53	479,9	181,5	46	462,9	188,6	43
590	18	549,7	170,7	59	506,7	187,5	51	488,7	194,7	47
	5	470,2	163,8	44	433,0	181,1	38	417,3	188,7	35
	7	490,8	168,0	48	451,9	185,5	41	435,6	193,1	38
	9	511,4	172,2	52	470,9	189,8	44	453,8	197,5	41
	11	532,0	176,4	56	489,8	194,2	48	472,1	201,9	44
	13	552,5	180,6	60	508,7	198,5	51	490,3	206,3	48
660	15	573,1	184,8	64	527,6	202,9	55	508,6	210,7	51
	18	604,0	191,1	71	556,0	209,4	61	535,9	217,2	57
	5	516,6	178,4	42	476,4	197,7	36	459,4	206,1	33
	7	540,4	183,2	45	498,2	202,6	39	480,4	211,1	36
	9	564,3	187,9	49	520,0	207,6	42	501,4	216,0	39
	11	588,1	192,7	53	541,8	212,5	46	522,4	221,0	43
660	13	612,0	197,4	58	563,6	217,4	49	543,3	225,9	46
	15	635,8	202,2	62	585,4	222,3	53	564,3	230,9	49
	18	671,6	209,3	69	618,1	229,6	59	595,8	238,3	55
	5	566,0	196,7	50	521,2	217,5	42	502,4	226,6	40
	7	591,4	201,9	54	544,4	222,9	46	524,7	232,0	43
	9	616,8	207,1	59	567,6	228,2	50	547,0	237,4	47
660	11	642,2	212,4	63	590,8	233,6	54	569,3	242,8	50
	13	667,6	217,6	68	614,0	239,0	58	591,6	248,3	54
	15	693,0	222,8	73	637,2	244,4	62	613,9	253,7	58
	18	731,1	230,7	81	672,0	252,5	69	647,3	261,8	64

(*) Only Compressors.

Model	LWT °C	Condensing Air Temperature °C								
		35			38			40		
		Cool	Input Power (*)	Pressure Drop	Cool	Input Power (*)	Pressure Drop	Cool	Input Power (*)	Pressure Drop
		kW	kW	kPa	kW	kW	kPa	kW	kW	kPa
240	5	177,7	88,9	28	166,5	95,1	25	158,7	99,5	23
	7	187,5	91,1	31	175,7	97,3	28			
	9	197,3	93,3	35	184,9	99,5	31			
	11	207,1	95,5	38	194,1	101,7	34			
	13	216,9	97,8	41	203,2	103,9	37			
	15	226,7	100,0	45	212,4	106,1	40			
270	18	241,4	103,3	51	226,2	109,4	45			
	5	202,7	107,3	36	189,4	114,3	32	180,2	119,2	29
	7	213,1	110,2	40	199,1	117,2	35			
	9	223,5	113,1	44	208,8	120,1	39			
	11	234,0	115,9	48	218,5	123,0	42			
	13	244,4	118,8	52	228,3	125,8	46			
290	15	254,8	121,7	56	238,0	128,7	49			
	18	270,5	126,0	63	252,5	133,0	55			
	5	217,5	108,8	42	204,4	116,0	37	195,3	121,1	34
	7	229,4	111,6	46	215,5	118,8	41			
	9	241,3	114,3	51	226,6	121,6	45			
	11	253,1	117,1	56	237,7	124,4	49			
320	13	265,0	119,9	61	248,9	127,1	54			
	15	276,9	122,7	66	260,0	129,9	59			
	18	294,7	126,8	74	276,6	134,1	66			
	5	232,1	120,2	19	217,2	128,0	17	207,0	133,5	16
	7	244,0	123,4	21	228,3	131,1	19			
	9	255,9	126,6	23	239,3	134,3	20			
360	11	267,8	129,7	25	250,4	137,4	22			
	13	279,7	132,9	27	261,4	140,6	24			
	15	291,6	136,1	30	272,5	143,7	26			
	18	309,4	140,9	33	289,0	148,5	29			
	5	268,0	138,9	25	251,1	148,0	22	239,5	154,4	20
	7	282,3	142,6	28	264,5	151,7	25			
420	9	296,7	146,3	31	277,9	155,4	27			
	11	311,0	150,0	34	291,3	159,1	30			
	13	325,4	153,8	37	304,7	162,8	32			
	15	339,8	157,5	40	318,1	166,5	35			
	18	361,3	163,0	45	338,2	172,1	39			
	5	309,0	159,5	33	289,3	170,0	29	275,8	177,3	27
470	7	325,1	163,7	36	304,3	174,1	32			
	9	341,1	168,0	40	319,2	178,3	35			
	11	357,2	172,2	44	334,2	182,5	38			
	13	373,3	176,4	47	349,1	186,7	42			
	15	389,4	180,6	51	364,1	190,8	45			
	18	413,5	187,0	58	386,5	197,1	51			
540	5	355,2	179,2	26	332,6	190,8	23	317,0	198,9	21
	7	371,5	183,3	28	347,9	194,9	25			
	9	387,7	187,4	30	363,2	199,1	27			
	11	404,0	191,5	33	378,5	203,2	29			
	13	420,3	195,6	35	393,8	207,4	31			
	15	436,5	199,7	38	409,1	211,5	34			
590	18	460,9	205,9	42	432,1	217,7	37			
	5	393,0	200,8	31	367,6	213,8	28	350,0	222,9	25
	7	410,2	205,2	34	383,7	218,2	30			
	9	427,4	209,7	37	399,9	222,6	32			
	11	444,6	214,1	40	416,1	227,0	35			
	13	461,8	218,5	42	432,3	231,5	37			
660	15	479,1	222,9	46	448,5	235,9	40			
	18	504,9	229,5	50	472,8	242,5	44			
	5	432,9	219,5	30	405,3	233,7	26	386,3	243,6	24
	7	452,7	224,5	32	423,9	238,7	29			
	9	472,5	229,5	35	442,4	243,7	31			
	11	492,2	234,4	38	460,9	248,7	34			
660	13	512,0	239,4	41	479,5	253,7	36			
	15	531,8	244,4	44	498,0	258,7	39			
	18	561,4	251,9	49	525,8	266,2	43			
	5	473,0	241,1	35	442,4	256,6	31	421,3	267,5	28
	7	494,0	246,5	38	462,1	262,0	34			
	9	515,0	252,0	41	481,7	267,5	36			
660	11	535,9	257,4	45	501,3	272,9	39			
	13	556,9	262,9	48	521,0	278,3	42			
	15	577,9	268,3	52	540,6	283,7	45			
	18	609,3	276,5	57	570,0	291,9	50			

(*) Only Compressors.

Heating Capacities - SYSCROLL AIR HP STD - S Version

Model	LWT °C	Ambient Air Temperature °C											
		-7			-5			-3			0		
		Heat	Input Power (*)	Pressure Drop	Heat	Input Power (*)	Pressure Drop	Heat	Input Power (*)	Pressure Drop	Heat	Input Power (*)	Pressure Drop
		kW	kW	kPa	kW	kW	kPa	kW	kW	kPa	kW	kW	kPa
240	30	180,0	51,0	29	185,1	51,2	31	192,0	51,3	33	205,7	51,7	37
	35	181,6	59,1	30	186,6	59,2	31	193,3	59,4	33	206,4	59,7	38
	40	183,2	67,2	30	188,1	67,3	32	194,5	67,4	34	207,0	67,6	38
	45				189,6	75,4	32	195,8	75,4	34	207,7	75,6	38
	50										208,3	83,6	38
270	30	202,6	60,0	36	208,0	60,1	38	215,5	60,4	41	230,5	60,8	47
	35	204,6	68,8	37	209,9	69,0	39	217,1	69,2	41	231,6	69,7	47
	40	206,5	77,7	38	211,8	77,9	40	218,8	78,1	42	232,7	78,6	47
	45				213,7	86,7	40	220,5	87,0	43	233,8	87,4	48
	50										234,9	96,3	48
290	30	221,4	64,7	43	227,6	64,9	45	236,0	65,2	49	252,7	65,8	55
	35	223,0	74,3	44	229,1	74,5	46	237,2	74,7	49	253,2	75,3	56
	40	224,6	83,8	44	230,6	84,0	47	238,4	84,3	50	253,7	84,8	56
	45				232,1	93,6	47	239,6	93,8	50	254,2	94,4	56
	50										254,6	103,9	56
320	30	235,4	66,2	20	241,7	66,4	21	250,4	66,6	22	268,1	67,0	25
	35	237,0	76,2	20	243,2	76,3	21	251,6	76,5	22	268,5	76,8	25
	40	238,7	86,1	20	244,7	86,2	21	252,9	86,3	23	269,0	86,6	25
	45				246,3	96,1	22	254,1	96,2	23	269,5	96,4	26
	50										269,9	106,2	26
360	30	267,8	76,5	25	275,2	76,7	27	285,3	76,9	28	305,6	77,3	32
	35	270,0	87,9	26	277,3	88,1	27	287,1	88,4	29	306,7	88,8	33
	40	272,2	99,3	26	279,4	99,5	27	289,0	99,8	29	307,8	100,2	33
	45				281,6	111,0	28	290,9	111,2	30	308,9	111,7	33
	50										309,9	123,1	33
420	30	313,8	89,4	34	322,2	89,6	36	333,9	89,9	38	357,3	90,6	44
	35	316,2	102,8	35	324,4	102,9	36	335,6	103,2	39	358,0	103,8	44
	40	318,5	116,2	35	326,5	116,3	37	337,3	116,5	39	358,7	117,0	44
	45				328,7	129,7	37	339,1	129,8	39	359,4	130,3	44
	50										360,1	143,5	44
470	30	345,0	95,7	24	354,4	95,9	26	367,4	96,2	27	393,5	96,7	31
	35	347,7	110,0	25	357,0	110,2	26	369,7	110,5	28	394,8	111,0	31
	40	350,5	124,3	25	359,7	124,5	26	371,9	124,8	28	396,0	125,3	32
	45				362,3	138,8	27	374,1	139,0	28	397,2	139,5	32
	50										398,4	153,8	32
540	30	393,4	106,6	31	404,0	106,9	33	418,5	107,2	35	448,0	108,0	40
	35	396,3	122,6	32	406,6	122,8	33	420,7	123,1	36	448,8	123,8	40
	40	399,2	138,6	32	409,3	138,7	34	422,8	139,0	36	449,7	139,6	40
	45				412,0	154,7	34	425,0	154,9	36	450,5	155,4	41
	50										451,4	171,2	41
590	30	425,1	117,7	29	436,7	118,0	30	452,6	118,4	32	484,7	119,1	37
	35	428,4	135,0	29	439,8	135,3	31	455,3	135,6	33	486,1	136,3	37
	40	431,7	152,3	30	442,9	152,5	31	457,9	152,9	33	487,5	153,5	37
	45				446,1	169,8	31	460,6	170,1	33	488,8	170,7	38
	50										490,2	187,9	38
660	30	479,7	129,8	36	492,6	130,1	38	510,3	130,6	41	546,2	131,6	46
	35	483,2	148,9	37	495,7	149,2	39	512,9	149,6	41	547,2	150,4	47
	40	486,6	168,1	37	498,9	168,2	39	515,4	168,5	42	548,2	169,2	47
	45				502,1	187,2	39	518,0	187,4	42	549,2	188,0	47
	50										550,2	206,8	47

(*) Only Compressors.

Model	LWT °C	Ambient Air Temperature °C											
		5			7			10			15		
		Heat	Input Power (*)	Pressure Drop	Heat	Input Power (*)	Pressure Drop	Heat	Input Power (*)	Pressure Drop	Heat	Input Power (*)	Pressure Drop
		kW	kW	kPa	kW	kW	kPa	kW	kW	kPa	kW	kW	kPa
240	30	237,5	52,5	49	253,3	52,9	56	280,3	53,59	68	334,3	55,0	95
	35	236,5	60,4	49	251,5	60,7	55	277,0	61,35	66	327,8	62,6	92
	40	235,6	68,2	48	249,7	68,6	54	273,7	69,11	65	321,4	70,3	88
	45	234,6	76,1	48	247,9	76,4	53	270,3	76,88	63	314,9	77,9	85
	50	233,7	84,0	48	246,0	84,2	53	267,0	84,64	62	308,4	85,6	81
270	30	266,0	61,8	61	283,7	62,3	69	314,3	63,21	84	375,5	64,9	119
	35	265,4	70,7	61	282,2	71,2	69	311,1	72,09	83	368,9	73,8	115
	40	264,8	79,6	61	280,7	80,1	68	307,9	80,97	81	362,3	82,7	111
	45	264,2	88,5	60	279,2	89,0	67	304,8	89,85	79	355,6	91,5	107
50	263,6	97,4	60	277,7	97,9	66	301,6	98,73	78	349,0	100,4	103	
290	30	291,4	67,1	73	310,6	67,8	82	343,5	69,01	100	409,2	71,4	141
	35	289,9	76,6	72	308,1	77,3	81	339,1	78,44	98	400,9	80,7	135
	40	288,4	86,1	71	305,5	86,8	80	334,7	87,86	95	392,6	90,1	130
	45	286,9	95,6	71	302,9	96,2	79	330,3	97,29	93	384,3	99,5	125
	50	285,4	105,1	70	300,4	105,7	77	325,8	106,72	90	376,0	108,8	119
320	30	309,7	68,1	33	330,6	68,6	38	366,5	69,56	46	438,6	71,4	64
	35	308,0	77,8	33	327,8	78,3	37	361,8	79,18	45	429,7	81,0	62
	40	306,4	87,5	33	325,1	88,0	36	357,0	88,80	44	420,7	90,5	60
	45	304,8	97,2	32	322,3	97,6	36	352,2	98,42	42	411,8	100,0	57
	50	303,1	106,9	32	319,5	107,3	35	347,4	108,03	41	402,8	109,6	55
360	30	353,2	78,3	43	377,1	78,8	48	417,9	79,56	59	499,8	81,1	83
	35	352,1	89,8	42	374,7	90,2	48	413,4	91,01	58	490,7	92,6	80
	40	350,9	101,2	42	372,3	101,7	47	408,9	102,46	56	481,6	104,0	77
	45	349,8	112,7	42	370,0	113,1	47	404,3	113,91	55	472,5	115,4	74
	50	348,6	124,1	42	367,6	124,6	46	399,8	125,36	54	463,4	126,8	72
420	30	412,5	92,2	57	440,2	93,0	65	487,8	94,37	79	583,1	97,2	111
	35	410,4	105,3	57	436,6	106,0	64	481,4	107,37	77	571,2	110,1	107
	40	408,2	118,4	56	432,9	119,1	63	475,1	120,37	75	559,2	123,0	103
	45	406,1	131,5	56	429,2	132,2	62	468,7	133,37	73	547,2	135,9	99
	50	404,0	144,6	55	425,6	145,2	61	462,3	146,37	71	535,2	148,8	94
470	30	454,8	97,9	41	485,5	98,5	47	538,1	99,59	57	643,6	101,7	80
	35	453,1	112,2	41	482,2	112,8	46	532,0	113,80	56	631,5	115,8	78
	40	451,4	126,4	41	478,9	127,0	46	525,9	128,01	54	619,5	130,0	75
	45	449,7	140,7	40	475,6	141,3	45	519,7	142,23	53	607,4	144,1	72
	50	448,0	155,0	40	472,3	155,5	44	513,6	156,44	52	595,4	158,3	69
540	30	517,2	109,9	53	551,9	110,8	60	611,6	112,48	73	731,2	115,8	103
	35	514,5	125,5	52	547,3	126,4	59	603,6	127,98	71	716,2	131,2	99
	40	511,8	141,2	52	542,7	142,0	58	595,6	143,48	69	701,2	146,5	95
	45	509,1	156,8	51	538,1	157,6	57	587,6	158,98	67	686,1	161,9	91
	50	506,4	172,4	51	533,5	173,2	56	579,6	174,48	66	671,1	177,3	87
590	30	559,9	120,7	49	597,6	121,6	55	662,3	123,03	67	791,9	125,9	95
	35	557,7	137,9	48	593,5	138,6	54	654,7	140,00	66	777,0	142,7	92
	40	555,5	155,0	48	589,3	155,7	54	647,1	156,97	64	762,2	159,5	88
	45	553,3	172,1	48	585,2	172,8	53	639,5	173,94	63	747,3	176,3	85
	50	551,1	189,2	47	581,0	189,8	52	631,9	190,92	61	732,5	193,1	82
660	30	630,5	133,9	61	672,8	135,1	69	745,5	137,10	85	891,3	141,2	120
	35	627,3	152,5	61	667,3	153,6	68	736,0	155,45	82	873,4	159,3	115
	40	624,1	171,1	60	661,8	172,1	67	726,5	173,80	80	855,5	177,4	110
	45	620,8	189,7	59	656,3	190,5	66	717,0	192,15	78	837,6	195,5	106
	50	617,6	208,2	59	650,8	209,0	65	707,4	210,50	76	819,7	213,6	102

(*) Only Compressors.

Total heat recovery - SYSCROLL AIR - TR Version

Model	LWT °C	Outlet Water Temperature °C									
		35					40				
		Cool	Pressure Drop Evaporator	Input Power (*)	Heat Recovery	Pressure Drop Recover	Cool	Pressure Drop Evaporator	Input Power (*)	Heat Recovery	Pressure Drop Recover
		kW	kPa	kW	kW	kPa	kW	kPa	kW	kW	kPa
240	5	261,9	59	60,9	322,8	89	249,3	54	67,8	317,0	86
	7	267,8	62	61,4	329,3	92	252,3	55	68,3	320,6	88
	9	273,7	65	61,9	335,7	96	255,4	57	68,8	324,2	90
	12	282,6	69	62,7	345,3	101	259,9	58	69,6	329,5	92
	15	291,5	73	63,5	354,9	107	264,4	60	70,4	334,8	95
270	18	300,3	77	64,2	364,6	112	269,0	62	71,2	340,2	98
	5	283,4	69	71,8	355,2	107	266,8	62	79,7	346,5	102
	7	305,0	80	72,5	377,5	120	287,4	71	80,4	367,8	114
	9	326,6	91	73,2	399,8	135	307,9	81	81,1	389,0	128
	12	359,0	109	74,3	433,3	157	338,7	98	82,1	420,9	149
290	15	391,5	129	75,3	466,8	182	369,6	115	83,2	452,7	172
	18	423,9	151	76,3	500,2	208	400,4	135	84,2	484,6	196
	5	299,4	77	78,0	377,4	120	281,7	68	86,4	368,0	115
	7	321,9	88	78,8	400,8	135	303,1	79	87,2	390,3	128
	9	344,5	101	79,6	424,1	151	324,5	90	88,0	412,5	143
320	12	378,3	121	80,9	459,2	176	356,5	108	89,3	445,8	166
	15	412,1	143	82,1	494,2	204	388,6	127	90,5	479,2	192
	18	445,9	166	83,4	529,2	233	420,7	149	91,8	512,5	219
	5	340,7	40	78,9	419,5	59	320,5	35	87,4	408,0	56
	7	367,9	46	79,5	447,4	67	346,3	41	88,1	434,4	63
360	9	395,1	53	80,1	475,3	75	372,0	47	88,8	460,8	71
	12	436,0	64	81,1	517,1	88	410,6	57	89,8	500,4	83
	15	476,8	76	82,1	558,9	103	449,2	67	90,8	540,0	96
	18	517,6	89	83,0	600,7	118	487,8	79	91,8	579,6	110
	5	385,8	50	90,4	476,3	75	363,7	45	100,7	464,4	72
420	7	417,0	59	91,2	508,1	85	393,2	52	101,4	494,6	81
	9	448,1	67	91,9	540,0	96	422,7	60	102,1	524,8	91
	12	494,8	81	93,0	587,8	113	466,9	73	103,1	570,1	107
	15	541,5	97	94,1	635,6	131	511,2	86	104,2	615,4	123
	18	588,3	113	95,2	683,4	151	555,4	101	105,2	660,6	142
470	5	439,7	65	107,1	546,8	98	413,8	58	118,6	532,4	93
	7	474,8	75	108,0	582,8	111	446,9	67	119,6	566,6	105
	9	509,8	86	109,0	618,9	125	480,0	77	120,7	600,7	118
	12	562,4	104	110,5	672,9	147	529,7	93	122,2	651,9	138
	15	615,0	123	112,0	727,0	170	579,4	110	123,7	703,1	160
540	18	667,6	145	113,5	781,1	196	629,0	129	125,3	754,3	183
	5	512,0	52	113,5	625,5	76	481,6	46	126,2	607,8	72
	7	543,2	58	114,2	657,4	84	511,7	52	126,9	638,5	79
	9	574,5	65	114,9	689,4	92	541,7	58	127,6	669,3	87
	12	621,4	75	115,9	737,3	105	586,8	67	128,6	715,4	99
590	15	668,3	87	116,9	785,2	118	631,9	78	129,6	761,5	112
	18	715,2	99	117,9	833,1	133	677,0	89	130,6	807,6	125
	5	580,9	66	132,1	713,1	98	545,7	59	146,4	692,0	93
	7	614,8	74	133,0	747,8	108	578,2	65	147,3	725,5	102
	9	648,6	82	133,9	782,6	118	610,7	73	148,3	759,0	111
660	12	699,4	95	135,3	834,7	133	659,5	84	149,7	809,2	126
	15	750,2	108	136,6	886,8	150	708,3	97	151,1	859,5	141
	18	800,9	123	138,0	938,9	168	757,1	110	152,6	909,7	158
	5	640,3	63	140,0	780,3	92	603,4	56	155,0	758,4	87
	7	680,7	71	141,0	821,7	102	642,2	63	155,9	798,1	96
660	9	721,2	79	141,9	863,1	112	681,0	71	156,8	837,9	106
	12	781,9	93	143,2	925,1	129	739,3	83	158,2	897,5	121
	15	842,6	107	144,6	987,2	146	797,6	96	159,5	957,1	137
	18	903,3	123	146,0	1049,3	164	855,8	110	160,8	1016,7	154
	5	711,1	77	158,5	869,6	114	669,5	69	174,9	844,4	108
660	7	754,8	87	159,7	914,5	126	711,5	77	176,1	887,6	119
	9	798,6	97	160,8	959,4	138	753,5	86	177,3	930,8	130
	12	864,2	113	162,6	1026,8	157	816,5	101	179,0	995,5	148
	15	929,9	130	164,3	1094,2	178	879,5	116	180,8	1060,3	168
	18	995,5	148	166,0	1161,5	200	942,5	133	182,5	1125,0	188

(*) Only Compressors.

Model	LWT °C	Outlet Water Temperature °C									
		45					50				
		Cool	Pressure Drop Evaporator	Input Power (*)	Heat Recovery	Pressure Drop Recover	Cool	Pressure Drop Evaporator	Input Power (*)	Heat Recovery	Pressure Drop Recover
		kW	kPa	kW	kW	kPa	kW	kPa	kW	kW	kPa
240	5	234,7	48	76,0	310,6	82	218,1	42	85,6	303,6	79
	7	234,7	48	76,5	311,2	83	215,0	41	86,1	301,1	78
	9	234,8	48	77,0	311,8	83	212,0	40	86,6	298,6	76
	12	234,9	48	77,8	312,7	84	207,5	38	87,4	294,9	75
	15	234,9	48	78,6	313,6	84	203,0	37	88,2	291,1	73
	18	235,0	48	79,4	314,4	84	198,4	35	88,9	287,4	71
270	5	248,2	54	89,0	337,2	97	227,4	45	99,9	327,3	91
	7	267,5	62	89,7	357,3	108	245,4	52	100,6	346,0	102
	9	286,9	71	90,4	377,3	120	263,5	60	101,3	364,7	113
	12	315,9	85	91,5	407,4	140	290,5	72	102,3	392,8	130
	15	344,9	101	92,5	437,4	160	317,5	86	103,4	420,9	149
	18	374,0	118	93,6	467,5	183	344,6	101	104,4	449,0	169
290	5	261,6	59	96,3	357,9	109	239,2	50	107,9	347,1	102
	7	281,7	68	97,2	378,9	121	257,9	58	108,8	366,7	114
	9	301,8	78	98,0	399,8	135	276,6	66	109,6	386,2	126
	12	332,0	94	99,3	431,2	156	304,6	79	110,8	415,4	145
	15	362,1	111	100,5	462,7	179	332,6	94	112,1	444,7	166
	18	392,3	130	101,8	494,1	203	360,6	110	113,4	474,0	188
320	5	298,1	31	97,5	395,6	53	273,4	26	109,2	382,6	50
	7	322,2	36	98,2	420,4	59	295,8	30	109,9	405,6	56
	9	346,3	41	98,9	445,3	66	318,1	35	110,6	428,7	62
	12	382,5	50	100,0	482,5	77	351,6	42	111,6	463,2	72
	15	418,7	59	101,0	519,7	89	385,1	50	112,7	497,8	82
	18	454,8	69	102,1	556,9	102	418,6	59	113,8	532,3	93
360	5	339,1	39	112,8	451,8	68	312,0	34	126,7	438,6	64
	7	366,8	46	113,4	480,2	77	337,7	39	127,3	465,0	72
	9	394,5	53	114,1	508,6	86	363,5	45	128,0	491,4	80
	12	436,0	64	115,1	551,1	100	402,1	55	129,0	531,0	93
	15	477,6	76	116,1	593,7	115	440,7	65	130,0	570,7	107
	18	519,1	89	117,2	636,3	132	479,3	76	131,0	610,3	122
420	5	384,9	50	132,3	517,2	88	352,9	43	148,2	501,0	83
	7	415,8	58	133,4	549,2	99	381,5	49	149,2	530,7	93
	9	446,8	67	134,4	581,2	111	410,1	57	150,2	560,3	103
	12	493,2	81	136,0	629,2	129	453,0	69	151,8	604,8	119
	15	539,7	96	137,5	677,2	149	495,9	82	153,3	649,3	137
	18	586,1	112	139,1	725,2	170	538,9	96	154,9	693,8	156
470	5	447,9	40	141,2	589,1	68	410,9	34	158,4	569,3	63
	7	476,6	45	141,8	618,4	74	438,1	38	159,1	597,1	70
	9	505,3	50	142,5	647,8	81	465,2	43	159,7	625,0	76
	12	548,3	59	143,5	691,9	93	506,0	51	160,7	666,7	86
	15	591,4	68	144,5	735,9	104	546,7	59	161,8	708,5	97
	18	634,4	78	145,5	780,0	117	587,4	67	162,8	750,2	108
540	5	506,4	51	163,2	669,6	87	463,3	43	182,6	645,9	81
	7	537,5	57	164,2	701,6	95	492,5	48	183,6	676,2	89
	9	568,5	63	165,2	733,6	104	521,8	54	184,6	706,5	96
	12	615,0	74	166,7	781,6	117	565,7	63	186,2	751,9	109
	15	661,5	85	168,1	829,6	132	609,6	72	187,7	797,3	122
	18	708,0	97	169,6	877,7	147	653,6	83	189,2	842,8	136
590	5	561,8	49	173,0	734,8	82	515,7	42	193,9	709,6	77
	7	598,8	55	173,9	772,7	91	550,5	47	194,8	745,3	84
	9	635,7	62	174,8	810,5	99	585,2	53	195,7	780,9	92
	12	691,1	73	176,1	867,2	113	637,4	62	197,0	834,4	105
	15	746,6	85	177,4	923,9	128	689,5	73	198,3	887,8	119
	18	802,0	97	178,7	980,7	144	741,7	84	199,6	941,3	133
660	5	622,5	60	194,7	817,2	101	570,2	50	217,7	787,9	94
	7	662,4	67	195,9	858,3	111	607,6	57	218,9	826,6	103
	9	702,3	75	197,0	899,4	122	645,1	64	220,1	865,2	113
	12	762,2	88	198,8	961,0	138	701,3	75	221,9	923,2	128
	15	822,0	102	200,6	1022,6	156	757,5	87	223,7	981,2	144
	18	881,9	117	202,4	1084,3	175	813,7	100	225,5	1039,2	161

(*) Only Compressors.

Condensing unit - SYSCROLL AIR STD/HT/HPF RE - _Version

Model	Te °C	Condensing Air Temperature °C							
		25		30		32		35	
		Cool	Input Power (*)	Cool	Input Power (*)	Cool	Input Power (*)	Cool	Input Power (*)
		kW	kW	kW	kW	kW	kW	kW	kW
240	1	255,6	58,5	239,8	65,1	233,1	68,1	222,7	72,8
	3	272,8	59,8	255,9	66,4	248,8	69,4	237,7	74,1
	5	290,1	61,0	272,0	67,7	264,4	70,7	252,6	75,5
	7	307,3	62,2	288,1	69,0	280,0	72,0	267,5	76,8
	9	324,6	63,5	304,2	70,3	295,7	73,3	282,4	78,1
	11	341,8	64,7	320,3	71,6	311,3	74,6	297,4	79,5
14	367,7	66,5	344,4	73,5	334,7	76,6	319,7	81,5	
270	1	292,5	70,7	273,8	78,5	265,9	81,9	253,7	87,4
	3	311,6	72,4	291,6	80,2	283,2	83,7	270,2	89,2
	5	330,7	74,0	309,4	82,0	300,4	85,5	286,6	91,0
	7	349,8	75,7	327,2	83,7	317,7	87,2	303,1	92,8
	9	368,9	77,4	345,0	85,4	335,0	89,0	319,5	94,6
	11	388,0	79,0	362,8	87,2	352,2	90,7	336,0	96,4
14	416,7	81,5	389,5	89,8	378,1	93,4	360,7	99,1	
290	1	316,8	73,2	297,0	81,1	288,7	84,6	275,7	90,2
	3	338,0	74,8	316,7	82,8	307,8	86,3	294,0	91,9
	5	359,2	76,4	336,5	84,5	327,0	88,0	312,4	93,7
	7	380,3	78,0	356,3	86,1	346,2	89,7	330,7	95,4
	9	401,5	79,6	376,0	87,8	365,4	91,4	349,0	97,1
	11	422,6	81,2	395,8	89,5	384,6	93,1	367,3	98,9
14	454,3	83,6	425,4	92,0	413,4	95,7	394,8	101,5	
320	1	338,1	79,8	316,3	88,2	307,2	91,9	293,0	97,9
	3	360,1	81,6	336,8	90,1	327,1	93,9	312,0	99,9
	5	382,2	83,4	357,4	92,0	347,0	95,8	330,9	101,8
	7	404,2	85,2	377,9	93,9	366,9	97,8	349,9	103,8
	9	426,3	87,1	398,4	95,9	386,8	99,7	368,9	105,8
	11	448,4	88,9	418,9	97,8	406,7	101,7	387,8	107,8
14	481,4	91,6	449,7	100,7	436,6	104,6	416,3	110,8	
360	1	386,5	90,8	362,3	100,9	352,1	105,4	336,4	112,5
	3	412,2	92,9	386,3	103,0	375,5	107,5	358,6	114,7
	5	438,0	94,9	410,4	105,1	398,8	109,6	380,9	116,8
	7	463,7	96,9	434,4	107,2	422,2	111,8	403,2	119,0
	9	489,4	98,9	458,4	109,3	445,5	113,9	425,5	121,1
	11	515,2	100,9	482,5	111,4	468,8	116,0	447,8	123,3
14	553,8	104,0	518,5	114,6	503,8	119,2	481,2	126,5	
420	1	450,5	106,4	421,5	117,6	409,3	122,6	390,5	130,5
	3	479,8	108,8	448,8	120,1	435,8	125,1	415,7	133,1
	5	509,2	111,2	476,1	122,7	462,3	127,7	440,9	135,8
	7	538,5	113,6	503,4	125,2	488,8	130,3	466,2	138,4
	9	567,9	116,1	530,7	127,8	515,3	132,9	491,4	141,0
	11	597,2	118,5	558,1	130,3	541,7	135,5	516,6	143,7
14	641,3	122,1	599,0	134,2	581,5	139,4	554,4	147,6	
470	1	498,0	113,6	466,7	126,0	453,5	131,5	433,1	140,4
	3	531,1	116,1	497,5	128,7	483,4	134,2	461,6	143,1
	5	564,1	118,7	528,3	131,4	513,4	136,9	490,2	145,8
	7	597,1	121,2	559,2	134,0	543,3	139,6	518,8	148,6
	9	630,2	123,8	590,0	136,7	573,3	142,3	547,4	151,3
	11	663,2	126,3	620,9	139,4	603,2	145,0	576,0	154,1
14	712,8	130,2	667,1	143,4	648,1	149,1	618,9	158,2	
540	1	574,9	131,1	537,9	144,9	522,4	151,0	498,3	160,8
	3	612,3	134,1	572,8	148,1	556,2	154,2	530,5	164,1
	5	649,8	137,1	607,6	151,2	590,0	157,4	562,7	167,3
	7	687,3	140,1	642,5	154,3	623,8	160,6	594,9	170,6
	9	724,8	143,0	677,3	157,5	657,6	163,8	627,1	173,8
	11	762,2	146,0	712,2	160,6	691,4	167,0	659,3	177,1
14	818,4	150,5	764,5	165,4	742,1	171,8	707,5	182,0	
590	1	625,1	139,8	585,5	155,1	569,0	161,8	543,2	172,6
	3	666,4	143,0	624,1	158,4	606,4	165,1	578,9	176,0
	5	707,8	146,1	662,7	161,6	643,8	168,5	614,6	179,4
	7	749,1	149,2	701,3	164,9	681,3	171,8	650,4	182,7
	9	790,5	152,4	739,8	168,2	718,7	175,1	686,1	186,1
	11	831,8	155,5	778,4	171,4	756,1	178,4	721,8	189,5
14	893,8	160,2	836,2	176,4	812,3	183,4	775,4	194,5	
660	1	702,1	157,5	657,0	174,1	638,0	181,4	608,6	193,2
	3	747,9	161,1	699,6	177,9	679,3	185,3	648,0	197,1
	5	793,7	164,7	742,2	181,6	720,6	189,1	687,3	201,0
	7	839,5	168,2	784,8	185,4	762,0	192,9	726,7	204,9
	9	885,3	171,8	827,4	189,2	803,3	196,8	766,0	208,8
	11	931,1	175,4	870,0	193,0	844,6	200,6	805,4	212,7
14	999,8	180,8	933,9	198,6	906,5	206,3	864,4	218,5	

(*) Only Compressors.

Model	Te °C	Condensing Air Temperature °C							
		38		40		42		45	
		Cool	Input Power (*)	Cool	Input Power (*)	Cool	Input Power (*)	Cool	Input Power (*)
		kW	kW	kW	kW	kW	kW	kW	kW
240	1	211,9	77,9	204,3	81,5	196,6	85,3	184,6	91,4
	3	226,1	79,3	218,1	82,9	209,8	86,7	197,1	92,7
	5	240,3	80,6	231,8	84,2	223,1	88,0	209,6	94,0
	7	254,5	81,9	245,5	85,6	236,3	89,4	222,1	95,4
	9	268,7	83,3	259,2	86,9	249,6	90,7	234,6	96,7
	11	282,9	84,6	273,0	88,3	262,8	92,1		
14	304,2	86,7	293,6	90,3	282,7	94,1			
270	1	241,1	93,3	232,3	97,4	223,4	101,8	209,6	108,6
	3	256,7	95,1	247,4	99,3	237,9	103,6	223,3	110,4
	5	272,3	96,9	262,5	101,1	252,4	105,4	236,9	112,3
	7	288,0	98,7	277,6	102,9	267,0	107,3	250,6	114,2
	9	303,6	100,6	292,7	104,8	281,5	109,1	264,3	116,0
	11	319,2	102,4	307,7	106,6	296,0	111,0		
14	342,7	105,1	330,3	109,3	317,8	113,7			
290	1	262,3	96,2	253,1	100,5	243,6	104,9	229,0	111,9
	3	279,7	98,0	269,9	102,2	259,8	106,7	244,3	113,7
	5	297,2	99,7	286,7	104,0	276,1	108,5	259,6	115,5
	7	314,6	101,5	303,6	105,8	292,3	110,3	274,9	117,3
	9	332,0	103,3	320,4	107,6	308,6	112,0	290,3	119,1
	11	349,5	105,0	337,3	109,3	324,8	113,8		
14	375,6	107,7	362,5	112,0	349,2	116,5			
320	1	278,3	104,3	268,2	108,8	257,8	113,6	241,8	121,1
	3	296,3	106,3	285,5	110,9	274,5	115,6	257,6	123,1
	5	314,3	108,3	302,9	112,9	291,3	117,6	273,3	125,1
	7	332,3	110,3	320,3	114,9	308,0	119,7	289,0	127,1
	9	350,3	112,3	337,6	116,9	324,7	121,7	304,7	129,2
	11	368,3	114,3	355,0	118,9	341,4	123,7		
14	395,4	117,4	381,1	122,0	366,5	126,7			
360	1	319,9	120,2	308,6	125,6	297,1	131,2	279,2	140,1
	3	341,2	122,4	329,1	127,8	316,8	133,4	297,8	142,3
	5	362,4	124,5	349,6	130,0	336,6	135,6	316,5	144,5
	7	383,6	126,7	370,1	132,2	356,4	137,8	335,2	146,7
	9	404,8	128,9	390,6	134,4	376,1	140,0	353,8	149,0
	11	426,0	131,1	411,1	136,6	395,9	142,2		
14	457,9	134,4	441,9	139,8	425,6	145,5			
420	1	370,9	139,1	357,5	145,1	343,7	151,5	322,5	161,5
	3	394,9	141,7	380,6	147,8	365,9	154,1	343,3	164,1
	5	418,8	144,4	403,6	150,5	388,1	156,8	364,2	166,8
	7	442,7	147,1	426,7	153,1	410,3	159,5	385,1	169,5
	9	466,7	149,7	449,8	155,8	432,5	162,1	406,0	172,1
	11	490,6	152,4	472,9	158,5	454,7	164,8		
14	526,5	156,4	507,5	162,5	488,0	168,8			
470	1	411,8	149,8	397,2	156,5	382,3	163,5	359,1	174,5
	3	439,0	152,6	423,5	159,3	407,6	166,3	383,0	177,3
	5	466,2	155,4	449,8	162,1	432,9	169,1	406,9	180,1
	7	493,4	158,2	476,0	164,9	458,2	171,9	430,8	183,0
	9	520,6	160,9	502,3	167,7	483,5	174,7	454,7	185,8
	11	547,8	163,7	528,6	170,5	508,9	177,6		
14	588,6	167,9	567,9	174,7	546,9	181,8			
540	1	473,4	171,4	456,2	178,9	438,6	186,7	411,5	199,0
	3	503,9	174,7	485,6	182,2	467,0	190,0	438,1	202,3
	5	534,5	178,0	515,1	185,5	495,3	193,3	464,8	205,6
	7	565,0	181,3	544,5	188,8	523,6	196,6	491,4	208,9
	9	595,6	184,5	574,0	192,1	552,0	199,9	518,1	212,2
	11	626,1	187,8	603,4	195,4	580,3	203,2		
14	671,9	192,8	647,6	200,3	622,8	208,1			
590	1	516,5	184,2	498,0	192,4	479,2	200,9	450,1	214,4
	3	550,4	187,6	530,8	195,8	510,8	204,4	479,9	217,9
	5	584,4	191,0	563,6	199,3	542,4	207,8	509,7	221,3
	7	618,4	194,4	596,4	202,7	574,0	211,3	539,5	224,8
	9	652,3	197,9	629,2	206,1	605,6	214,7	569,3	228,3
	11	686,3	201,3	662,0	209,6	637,2	218,2		
14	737,3	206,4	711,2	214,7	684,6	223,4			
660	1	578,1	205,9	557,2	214,9	535,7	224,3	502,5	239,1
	3	615,5	209,9	593,2	218,8	570,3	228,2	535,1	243,0
	5	652,8	213,8	629,2	222,8	605,0	232,2	567,7	246,9
	7	690,2	217,7	665,2	226,7	639,6	236,1	600,3	250,9
	9	727,6	221,6	701,2	230,7	674,3	240,1	632,9	254,8
	11	764,9	225,6	737,2	234,6	709,0	244,0		
14	820,9	231,5	791,2	240,5	761,0	249,9			

(*) Only Compressors. HT Version

Condensing unit - SYSCROLL AIR STD - RE L Version

Model	Te °C	Condensing Air Temperature °C							
		25		30		32		35	
		Cool	Input Power (*)	Cool	Input Power (*)	Cool	Input Power (*)	Cool	Input Power (*)
		kW	kW	kW	kW	kW	kW	kW	kW
240	1	248,6	61,5	232,6	68,3	225,8	71,4	215,2	76,3
	3	264,7	62,9	247,6	69,8	240,3	72,9	229,1	77,9
	5	280,8	64,3	262,5	71,3	254,8	74,4	242,9	79,4
	7	297,0	65,8	277,5	72,9	269,4	76,0	256,7	80,9
	9	313,1	67,2	292,5	74,4	283,9	77,5	270,5	82,5
	11	329,2	68,7	307,5	75,9	298,4	79,0	284,3	84,0
14	353,4	70,8	330,0	78,1	320,2	81,3	305,1	86,3	
270	1	282,9	74,7	263,8	82,9	255,8	86,5	243,4	92,2
	3	300,6	76,7	280,2	84,9	271,7	88,5	258,5	94,3
	5	318,3	78,6	296,6	86,9	287,6	90,6	273,6	96,3
	7	336,0	80,5	313,0	88,9	303,5	92,6	288,7	98,4
	9	353,7	82,5	329,5	90,9	319,3	94,6	303,8	100,5
	11	371,4	84,4	345,9	93,0	335,2	96,7	318,8	102,5
14	397,9	87,3	370,5	96,0	359,0	99,7	341,5	105,7	
290	1	307,8	76,9	287,6	85,1	279,1	88,8	266,0	94,6
	3	327,5	78,7	305,9	87,1	296,9	90,8	282,9	96,6
	5	347,2	80,6	324,3	89,0	314,7	92,7	299,8	98,6
	7	367,0	82,5	342,6	90,9	332,4	94,7	316,7	100,6
	9	386,7	84,3	360,9	92,9	350,2	96,6	333,6	102,6
	11	406,4	86,2	379,3	94,8	368,0	98,6	350,6	104,6
14	436,0	88,9	406,8	97,7	394,6	101,5	375,9	107,5	
320	1	327,5	83,9	305,4	92,7	296,1	96,5	281,7	102,8
	3	347,9	86,0	324,3	94,9	314,4	98,8	299,1	105,0
	5	368,4	88,1	343,2	97,1	332,7	101,0	316,5	107,3
	7	388,9	90,3	362,2	99,3	351,0	103,3	333,9	109,6
	9	409,3	92,4	381,1	101,5	369,4	105,5	351,3	111,9
	11	429,8	94,5	400,0	103,8	387,7	107,8	368,7	114,1
14	460,4	97,7	428,5	107,1	415,2	111,1	394,8	117,5	
360	1	374,9	95,7	350,3	106,2	339,9	110,8	323,9	118,2
	3	398,8	98,0	372,5	108,7	361,5	113,3	344,4	120,8
	5	422,8	100,4	394,8	111,1	383,1	115,8	364,9	123,3
	7	446,7	102,8	417,0	113,6	404,6	118,3	385,4	125,8
	9	470,7	105,1	439,3	116,1	426,2	120,8	406,0	128,4
	11	494,6	107,5	461,5	118,5	447,7	123,3	426,5	130,9
14	530,5	111,1	494,9	122,2	480,1	127,1	457,2	134,7	
420	1	436,3	111,9	406,9	123,6	394,5	128,8	375,4	137,0
	3	463,5	114,7	432,1	126,5	418,9	131,7	398,5	140,1
	5	490,8	117,5	457,2	129,5	443,3	134,7	421,6	143,1
	7	518,0	120,3	482,4	132,4	467,6	137,7	444,8	146,1
	9	545,2	123,2	507,6	135,4	492,0	140,7	467,9	149,2
	11	572,4	126,0	532,8	138,3	516,4	143,7	491,1	152,2
14	613,3	130,2	570,6	142,8	553,0	148,2	525,8	156,7	
470	1	483,0	119,6	451,1	132,7	437,8	138,4	417,0	147,6
	3	513,7	122,6	479,7	135,7	465,4	141,5	443,3	150,7
	5	544,5	125,5	508,2	138,8	493,1	144,6	469,6	153,9
	7	575,2	128,5	536,8	141,9	520,7	147,7	495,9	157,0
	9	606,0	131,4	565,3	144,9	548,4	150,8	522,2	160,2
	11	636,7	134,4	593,9	148,0	576,0	153,9	548,5	163,3
14	682,8	138,8	636,7	152,6	617,5	158,6	588,0	168,1	
540	1	556,8	137,9	519,2	152,3	503,4	158,7	479,0	169,0
	3	591,6	141,4	551,4	156,0	534,5	162,4	508,5	172,7
	5	626,3	144,8	583,5	159,6	565,7	166,1	538,1	176,4
	7	661,1	148,3	615,7	163,2	596,8	169,7	567,7	180,1
	9	695,9	151,8	647,9	166,8	628,0	173,4	597,2	183,8
	11	730,6	155,3	680,1	170,5	659,1	177,1	626,8	187,5
14	782,8	160,5	728,4	175,9	705,8	182,6	671,1	193,1	
590	1	633,5	137,3	577,0	159,2	555,1	168,0	523,0	181,4
	3	666,5	142,9	610,4	163,8	588,4	172,3	555,9	185,3
	5	699,4	148,6	643,9	168,4	621,8	176,6	588,7	189,2
	7	732,4	154,2	677,4	172,9	655,1	180,8	621,5	193,1
	9	765,3	159,8	710,8	177,5	688,5	185,1	654,4	197,0
	11	798,3	165,4	744,3	182,1	721,8	189,4	687,2	200,9
14	847,8	173,9	794,5	189,0	771,9	195,8	736,5	206,7	
660	1	680,2	165,6	634,2	183,0	615,0	190,7	585,2	203,0
	3	722,6	169,8	673,5	187,4	653,0	195,1	621,2	207,4
	5	765,1	174,0	712,8	191,7	691,0	199,5	657,3	211,9
	7	807,5	178,2	752,1	196,1	729,0	203,9	693,4	216,4
	9	850,0	182,4	791,4	200,5	767,0	208,3	729,5	220,8
	11	892,4	186,5	830,7	204,8	805,1	212,7	765,6	225,3
14	956,1	192,8	889,6	211,3	862,1	219,4	819,7	232,0	

(*) Only Compressors.

Model	Te °C	Condensing Air Temperature °C					
		38		40		42	
		Cool	Input Power (*)	Cool	Input Power (*)	Cool	Input Power (*)
		kW	kW	kW	kW	kW	kW
240	1	204,2	81,6	196,5	85,4	188,6	89,3
	3	217,3	83,2	209,2	87,0	200,8	90,9
	5	230,4	84,7	221,8	88,5	213,0	92,4
	7	243,5	86,3	234,4	90,1		
	9	256,6	87,8	247,1	91,6		
	11	269,7	89,4	259,7	93,2		
270	14	289,4	91,7	278,7	95,5		
	1	230,5	98,3	221,6	102,6	212,5	107,1
	3	244,8	100,4	235,4	104,7	225,7	109,2
	5	259,1	102,5	249,1	106,8	238,9	111,4
	7	273,4	104,6	262,9	109,0		
	9	287,7	106,7	276,6	111,1		
290	11	301,9	108,8	290,4	113,2		
	14	323,4	111,9	311,0	116,3		
	1	252,4	100,9	243,0	105,3	233,4	109,9
	3	268,4	102,9	258,5	107,3	248,3	112,0
	5	284,5	104,9	273,9	109,3	263,1	114,0
	7	300,5	106,9	289,4	111,4		
320	9	316,5	108,9	304,8	113,4		
	11	332,6	110,9	320,3	115,4		
	14	356,6	113,9	343,5	118,4		
	1	266,8	109,4	256,5	114,1	246,0	119,1
	3	283,2	111,7	272,4	116,4	261,2	121,4
	5	299,7	114,0	288,2	118,7	276,4	123,7
360	7	316,2	116,3	304,0	121,0		
	9	332,6	118,6	319,9	123,3		
	11	349,1	120,9	335,7	125,6		
	14	373,8	124,3	359,5	129,1		
	1	307,2	126,2	295,7	131,8	284,0	137,6
	3	326,7	128,7	314,5	134,3	302,0	140,2
420	5	346,1	131,3	333,2	136,9	320,0	142,8
	7	365,6	133,9	352,0	139,5		
	9	385,0	136,4	370,7	142,1		
	11	404,5	139,0	389,5	144,7		
	14	433,7	142,8	417,6	148,5		
	1	355,5	146,0	341,9	152,3	327,9	158,8
470	3	377,4	149,0	362,9	155,3	348,1	161,9
	5	399,3	152,1	384,0	158,4	368,3	164,9
	7	421,2	155,1	405,0	161,4		
	9	443,1	158,2	426,1	164,5		
	11	464,9	161,2	447,1	167,5		
	14	497,8	165,8	478,7	172,1		
540	1	395,4	157,4	380,6	164,4	365,4	171,6
	3	420,4	160,6	404,6	167,6	388,5	174,8
	5	445,3	163,8	428,7	170,8	411,6	178,0
	7	470,3	167,0	452,7	174,0		
	9	495,2	170,2	476,7	177,2		
	11	520,2	173,3	500,7	180,4		
590	14	557,6	178,1	536,8	185,1		
	1	453,6	179,9	436,2	187,7	418,4	195,8
	3	481,6	183,7	463,1	191,5	444,2	199,6
	5	509,5	187,4	490,0	195,2	470,0	203,3
	7	537,5	191,2	516,9	198,9		
	9	565,5	194,9	543,8	202,7		
660	11	593,5	198,6	570,7	206,4		
	14	635,4	204,2	611,0	212,0		
	1	491,9	194,8	471,7	203,9	452,0	213,0
	3	523,9	198,5	502,8	207,4	482,0	216,5
	5	555,8	202,1	533,9	211,0	512,0	220,0
	7	587,7	205,8	564,9	214,6		
660	9	619,6	209,5	596,0	218,1		
	11	651,5	213,1	627,0	221,7		
	14	699,3	218,6	673,6	227,0		
	1	554,2	216,2	532,9	225,5	511,2	235,3
	3	588,3	220,7	565,8	230,0	542,7	239,7
	5	622,5	225,2	598,6	234,5	574,2	244,2
660	7	656,6	229,7	631,4	239,0		
	9	690,7	234,2	664,2	243,5		
	11	724,9	238,7	697,0	248,0		
	14	776,0	245,4	746,3	254,8		

(*) Only Compressors.

Condensing unit - SYSCROLL AIR STD - RE S Version

Model	Te °C	Condensing Air Temperature °C							
		25		30		32		35	
		Cool	Input Power (*)	Cool	Input Power (*)	Cool	Input Power (*)	Cool	Input Power (*)
		kW	kW	kW	kW	kW	kW	kW	kW
240	1	235,2	67,3	218,7	74,8	211,7	78,1	200,7	83,4
	3	249,4	69,1	231,7	76,7	224,3	80,0	212,6	85,3
	5	263,5	71,0	244,7	78,6	236,8	81,9	224,5	87,3
	7	277,6	72,8	257,7	80,5	249,4	83,8	236,4	89,2
	9	291,8	74,6	270,8	82,4	262,0	85,7	248,3	91,1
	11	305,9	76,5	283,8	84,3	274,5	87,7	260,2	93,0
14	327,1	79,2	303,3	87,1	293,4	90,5	278,0	95,9	
270	1	265,0	82,6	245,3	91,5	237,0	95,4	224,2	101,6
	3	280,1	85,0	259,1	94,0	250,4	97,9	236,8	104,1
	5	295,2	87,5	273,0	96,5	263,7	100,5	249,4	106,7
	7	310,4	89,9	286,9	99,0	277,1	103,0	262,0	109,2
	9	325,5	92,4	300,8	101,6	290,5	105,5	274,6	111,8
	11	340,6	94,8	314,6	104,1	303,8	108,1	287,2	114,3
14	363,3	98,5	335,4	107,8	323,9	111,9	306,2	118,2	
290	1	281,4	84,0	256,7	93,0	246,2	96,9	229,8	103,2
	3	307,8	86,4	285,8	95,4	276,5	99,3	262,2	105,6
	5	334,3	88,7	314,8	97,8	306,9	101,7	294,7	108,0
	7	360,7	91,0	343,9	100,2	337,2	104,1	327,2	110,5
	9	387,1	93,3	373,0	102,6	367,6	106,6	359,7	112,9
	11	413,5	95,7	402,1	105,0	397,9	109,0	392,1	115,3
14	453,1	99,2	445,7	108,6	443,4	112,6	440,9	119,0	
320	1	307,6	92,0	284,8	101,6	275,3	105,8	260,6	112,5
	3	325,2	94,7	300,9	104,3	290,8	108,5	275,2	115,2
	5	342,8	97,3	317,0	107,0	306,3	111,3	289,8	118,0
	7	360,3	100,0	333,1	109,8	321,8	114,0	304,4	120,7
	9	377,9	102,6	349,2	112,5	337,4	116,8	319,1	123,5
	11	395,5	105,3	365,3	115,2	352,9	119,5	333,7	126,3
14	421,8	109,3	389,5	119,3	376,1	123,6	355,6	130,4	
360	1	352,9	105,3	327,5	116,8	316,9	121,8	300,3	129,8
	3	373,7	108,3	346,6	119,9	335,3	124,9	317,7	132,9
	5	394,4	111,3	365,7	123,0	353,7	128,1	335,2	136,1
	7	415,2	114,3	384,8	126,1	372,2	131,2	352,6	139,2
	9	436,0	117,3	403,9	129,2	390,6	134,3	370,0	142,4
	11	456,7	120,3	423,0	132,2	409,0	137,4	387,4	145,5
14	487,9	124,8	451,7	136,9	436,7	142,0	413,6	150,2	
420	1	409,8	122,7	379,5	135,4	366,8	141,0	347,2	150,0
	3	433,2	126,3	400,9	139,1	387,5	144,7	366,6	153,7
	5	456,6	129,8	422,3	142,7	408,1	148,4	386,1	157,3
	7	480,0	133,3	443,8	146,4	428,7	152,0	405,5	161,0
	9	503,4	136,9	465,2	150,0	449,3	155,7	425,0	164,7
	11	526,8	140,4	486,6	153,6	470,0	159,3	444,4	168,4
14	561,8	145,7	518,7	159,1	500,9	164,8	473,6	173,9	
470	1	454,6	131,4	421,8	145,6	408,0	151,8	386,7	161,7
	3	481,3	135,2	446,3	149,5	431,6	155,7	409,0	165,6
	5	507,9	138,9	470,7	153,3	455,2	159,6	431,3	169,5
	7	534,5	142,6	495,2	157,2	478,8	163,5	453,6	173,5
	9	561,1	146,4	519,7	161,0	502,4	167,4	475,9	177,4
	11	587,7	150,1	544,1	164,9	526,0	171,3	498,2	181,3
14	627,7	155,7	580,8	170,7	561,4	177,1	531,6	187,2	
540	1	523,0	151,2	484,2	166,8	468,0	173,7	443,0	184,7
	3	552,8	155,5	511,6	171,3	494,4	178,3	467,8	189,3
	5	582,7	159,9	539,0	175,8	520,8	182,8	492,7	193,8
	7	612,6	164,3	566,3	180,3	547,1	187,3	517,5	198,4
	9	642,4	168,6	593,7	184,8	573,5	191,8	542,4	202,9
	11	672,3	173,0	621,1	189,3	599,9	196,4	567,3	207,5
14	717,1	179,5	662,1	196,0	639,4	203,1	604,5	214,3	
590	1	570,3	161,7	529,0	179,0	511,6	186,5	484,7	198,6
	3	603,6	166,3	559,5	183,7	541,1	191,3	512,5	203,4
	5	636,8	170,9	590,0	188,4	570,5	196,1	540,3	208,2
	7	670,0	175,5	620,5	193,2	599,9	200,9	568,1	213,1
	9	703,3	180,1	651,1	197,9	629,4	205,7	595,9	217,9
	11	736,5	184,7	681,6	202,7	658,8	210,4	623,7	222,7
14	786,4	191,6	727,4	209,8	703,0	217,6	665,5	229,9	
660	1	638,8	181,7	591,5	200,5	571,7	208,8	541,1	222,0
	3	675,3	186,9	624,9	205,9	603,9	214,2	571,5	227,4
	5	711,8	192,1	658,4	211,2	636,1	219,6	601,9	232,9
	7	748,3	197,3	691,8	216,6	668,3	225,0	632,2	238,3
	9	784,7	202,6	725,2	222,0	700,5	230,4	662,6	243,7
	11	821,2	207,8	758,7	227,4	732,8	235,8	692,9	249,1
14	876,0	215,6	808,8	235,4	781,1	243,9	738,5	257,3	

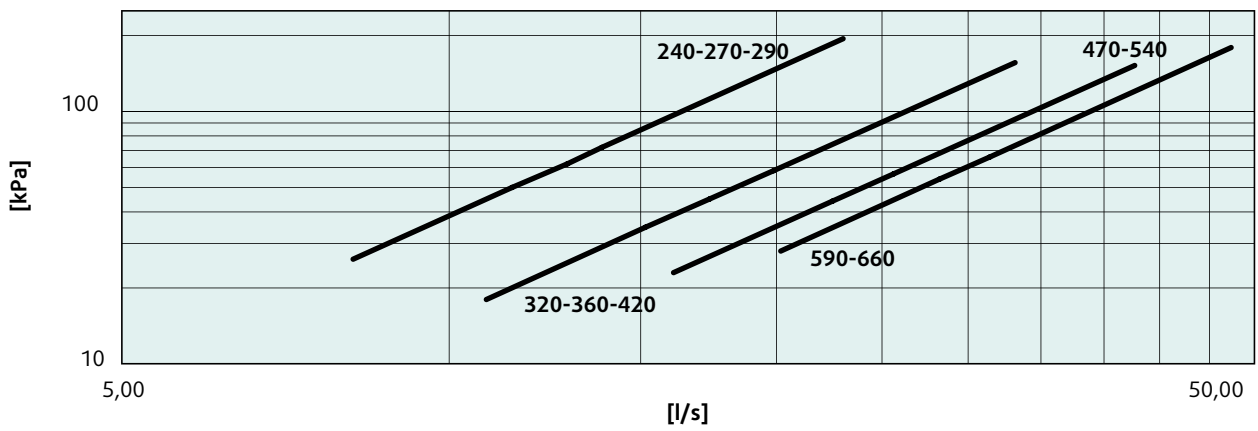
(*) Only Compressors.

Model	Te °C	Condensing Air Temperature °C					
		38		40		42	
		Cool	Input Power (*)	Cool	Input Power (*)	Cool	Input Power (*)
		kW	kW	kW	kW	kW	kW
240	1	189,3	89,1	181,3	93,2	173,2	97,4
	3	200,5	91,1	192,1	95,1	183,5	99,3
	5	211,7	93,0	202,9	97,0	193,8	101,2
	7	222,9	94,9	213,6	98,9		
	9	234,1	96,8	224,4	100,9		
	11	245,4	98,8	235,2	102,8		
270	14	262,2	101,6	251,3	105,6		
	1	210,9	108,1	201,7	112,8	192,4	117,6
	3	222,7	110,7	213,1	115,3	203,2	120,1
	5	234,6	113,3	224,4	117,9	214,0	122,7
	7	246,4	115,8	235,8	120,4		
	9	258,3	118,4	247,1	123,0		
290	11	270,1	121,0	258,5	125,6		
	14	287,9	124,8	275,5	129,4		
	1	212,6	109,9	200,7	114,6	188,5	119,5
	3	247,4	112,3	237,3	117,0	226,9	121,9
	5	282,3	114,7	273,9	119,5	265,4	124,4
	7	317,2	117,2	310,5	121,9		
320	9	352,0	119,6	347,1	124,3		
	11	386,9	122,1	383,7	126,8		
	14	439,2	125,7	438,6	130,4		
	1	245,3	119,6	234,8	124,7	224,1	130,0
	3	259,0	122,4	248,0	127,5	236,6	132,7
	5	272,8	125,2	261,1	130,2	249,2	135,5
360	7	286,5	127,9	274,2	133,0		
	9	300,2	130,7	287,4	135,7		
	11	314,0	133,4	300,5	138,5		
	14	334,6	137,6	320,2	142,6		
	1	283,1	138,3	271,3	144,3	259,2	150,5
	3	299,5	141,5	287,0	147,4	274,3	153,6
420	5	316,0	144,6	302,8	150,6	289,3	156,8
	7	332,4	147,8	318,5	153,7		
	9	348,8	150,9	334,3	156,9		
	11	365,2	154,1	350,0	160,1		
	14	389,8	158,8	373,6	164,8		
	1	326,9	159,6	312,9	166,3	298,6	173,4
470	3	345,1	163,3	330,4	170,0	315,3	177,0
	5	363,4	166,9	347,8	173,6	332,0	180,6
	7	381,6	170,6	365,3	177,3		
	9	399,9	174,3	382,7	181,0		
	11	418,1	177,9	400,2	184,6		
	14	445,5	183,4	426,4	190,1		
540	1	364,5	172,3	349,2	179,7	333,6	187,4
	3	385,5	176,2	369,4	183,6	352,9	191,3
	5	406,5	180,1	389,5	187,5	372,1	195,3
	7	427,5	184,1	409,6	191,5		
	9	448,5	188,0	429,7	195,4		
	11	469,5	191,9	449,9	199,4		
590	14	501,0	197,9	480,1	205,3		
	1	417,0	196,6	399,2	204,9	380,9	213,6
	3	440,3	201,1	421,5	209,4	402,3	218,0
	5	463,7	205,6	443,8	213,9	423,6	222,5
	7	487,0	210,2	466,2	218,4		
	9	510,4	214,7	488,5	223,0		
660	11	533,7	219,3	510,9	227,5		
	14	568,7	226,1	544,4	234,3		
	1	456,8	211,5	437,6	220,6	418,0	230,0
	3	483,0	216,3	462,7	225,4	441,9	234,8
	5	509,1	221,2	487,8	230,2	465,9	239,7
	7	535,3	226,0	512,8	235,1		
660	9	561,5	230,8	537,9	239,9		
	11	587,6	235,7	563,0	244,7		
	14	626,9	242,9	600,6	252,0		
	1	509,4	236,2	487,6	246,2	465,4	256,7
	3	537,9	241,6	514,9	251,6	491,4	262,0
	5	566,4	247,0	542,2	257,0	517,5	267,3
660	7	595,0	252,5	569,5	262,4		
	9	623,5	257,9	596,8	267,8		
	11	652,0	263,3	624,1	273,1		
	14	694,8	271,4	665,0	281,2		

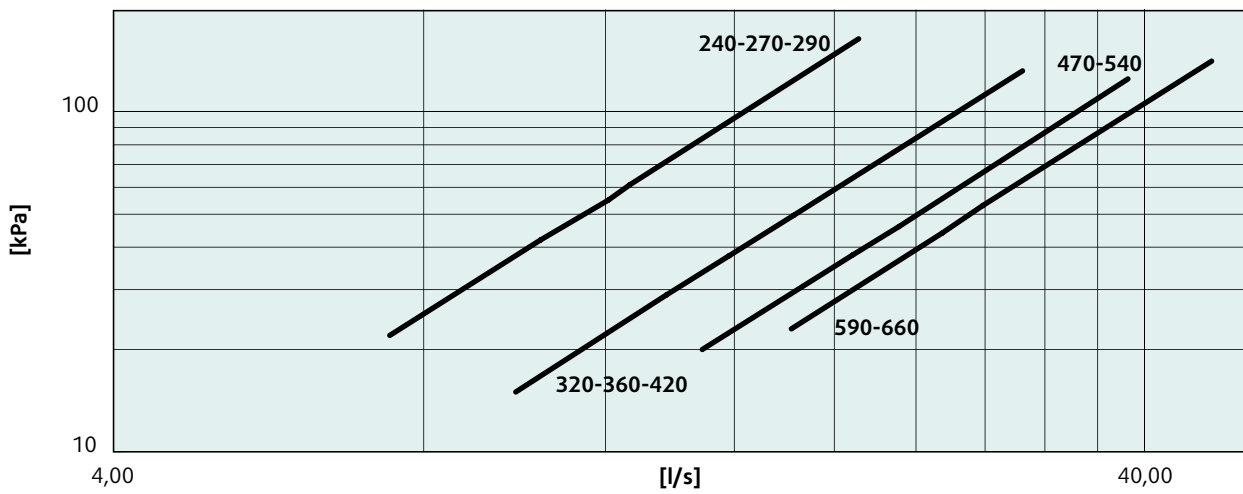
(*) Only Compressors.

Evaporator Water Pressure Drop Curves

SYSCROLL AIR CO

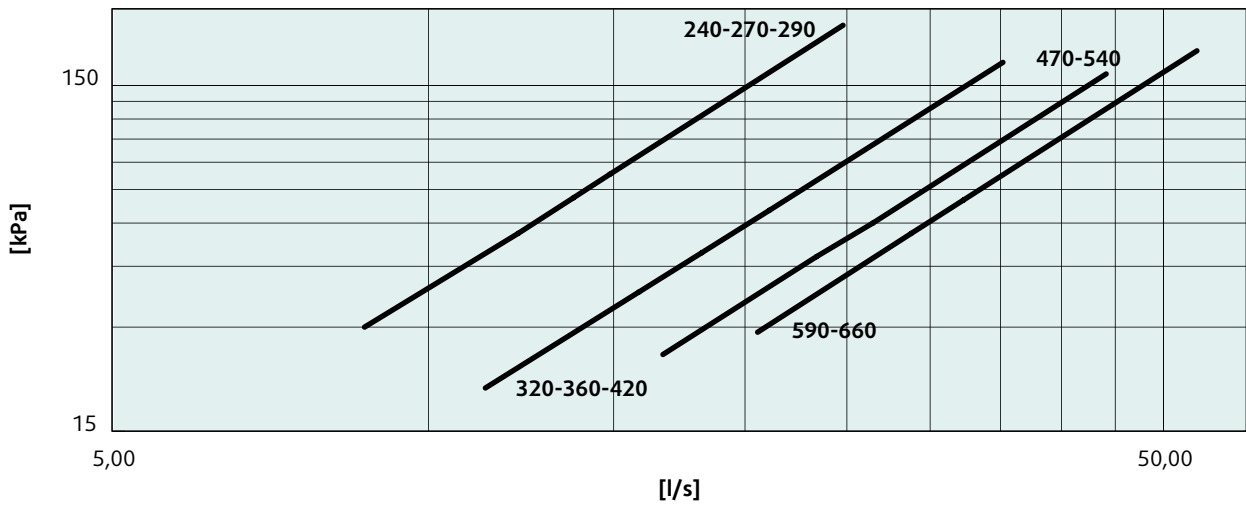


SYSCROLL AIR HP

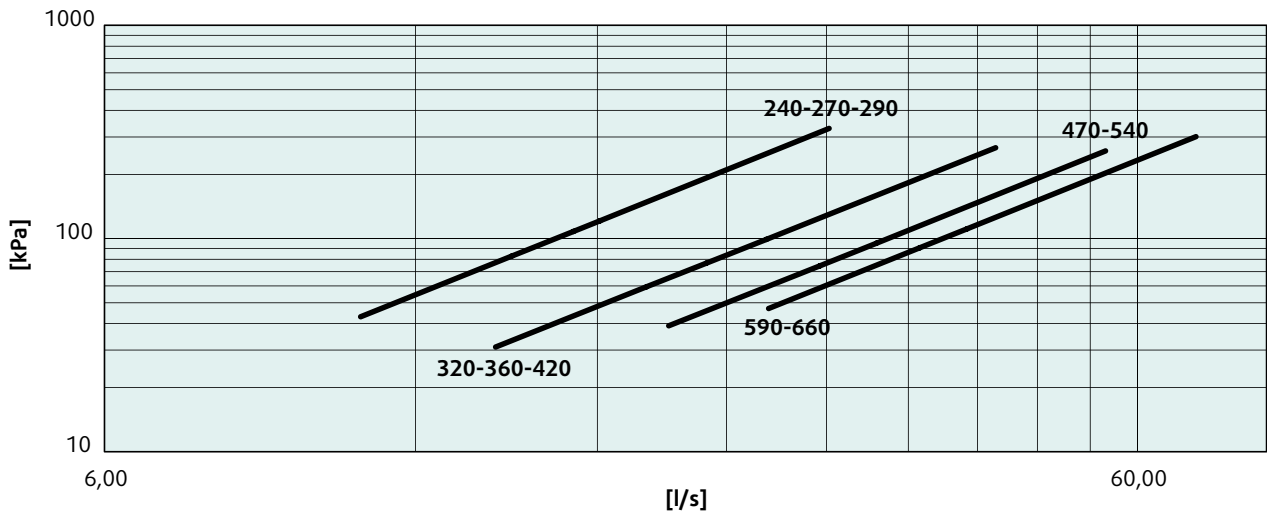


Condenser Water Pressure Drop Curves

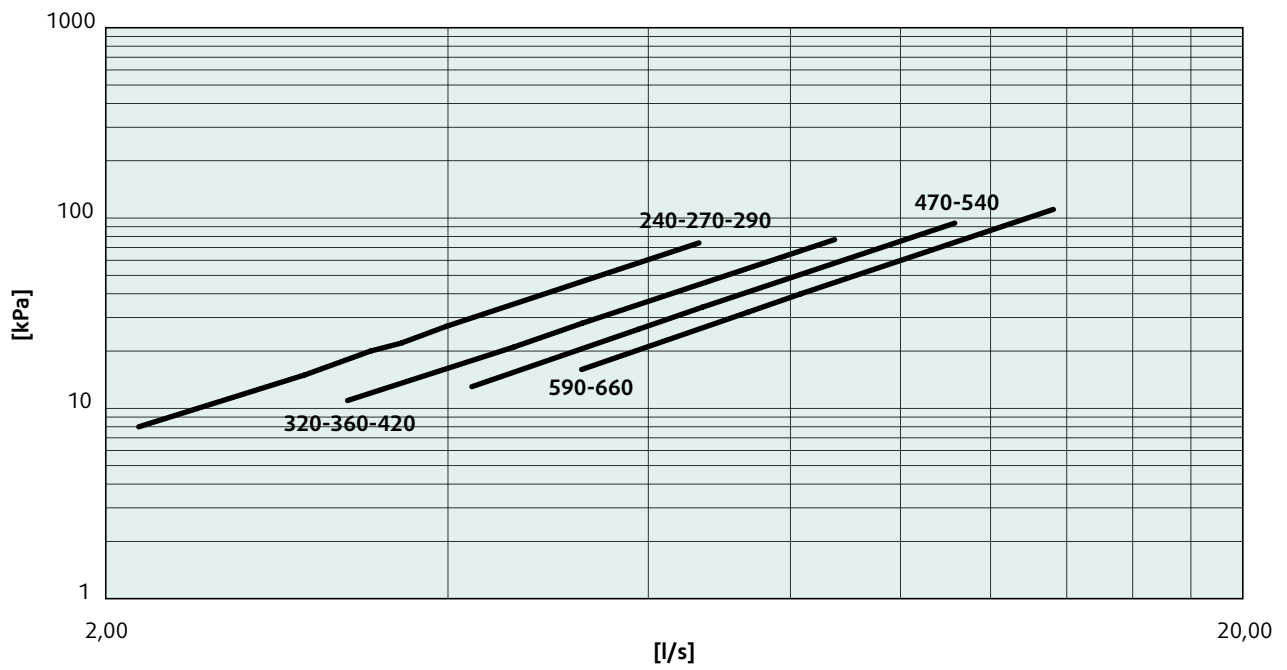
SYSCROLL AIR HP



SYSCROLL AIR TR

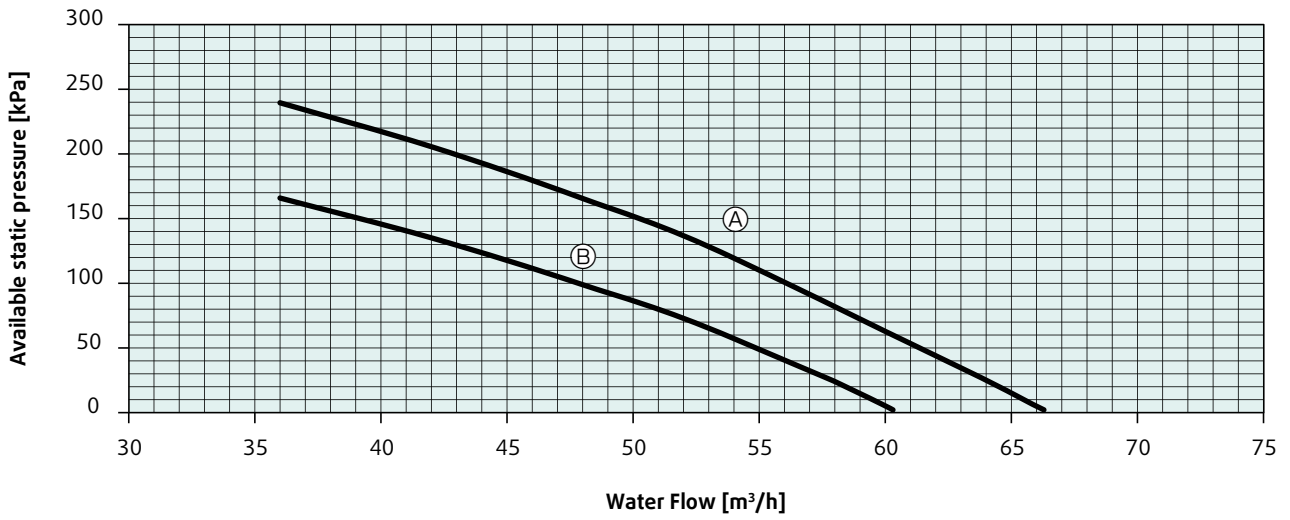


Desuperheater pressure drop

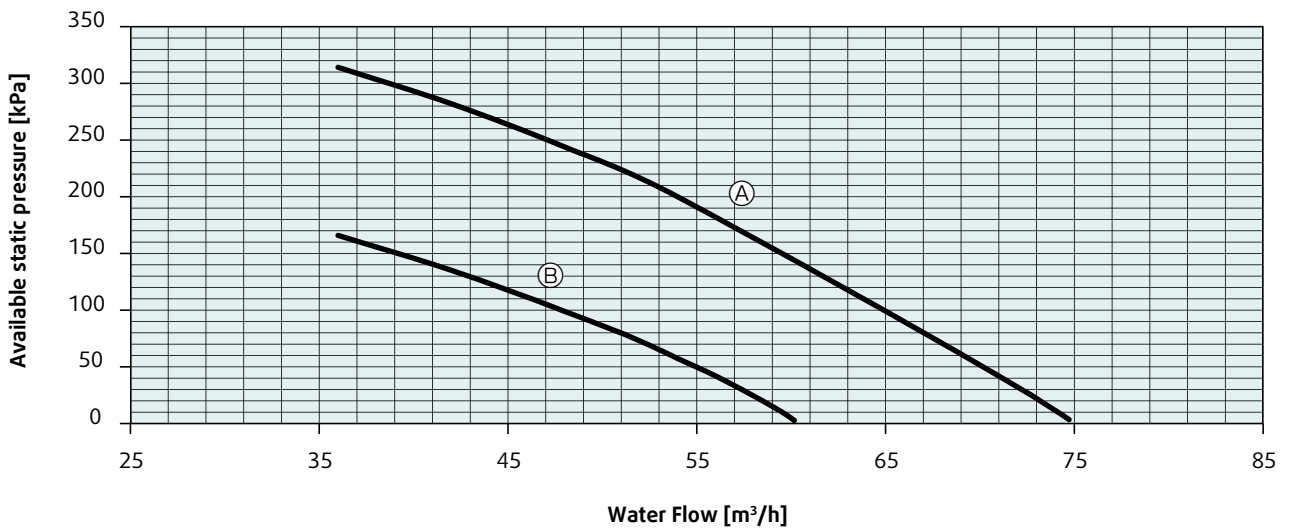


Available pressure head - SYSCROLL AIR CO

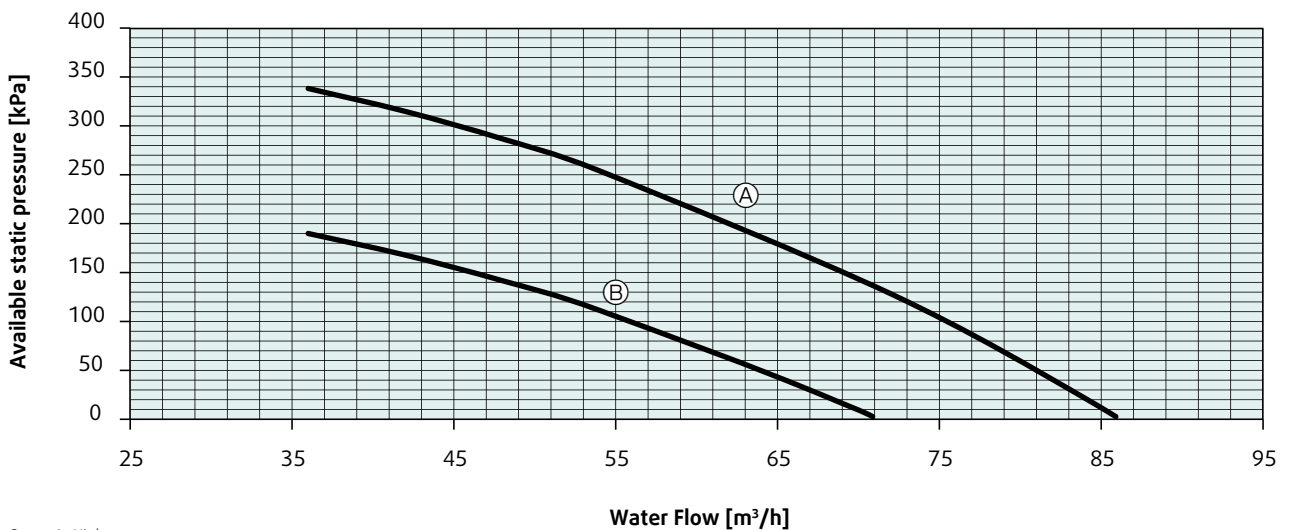
SYSCROLL 240-270 AIR CO



SYSCROLL 290 AIR CO



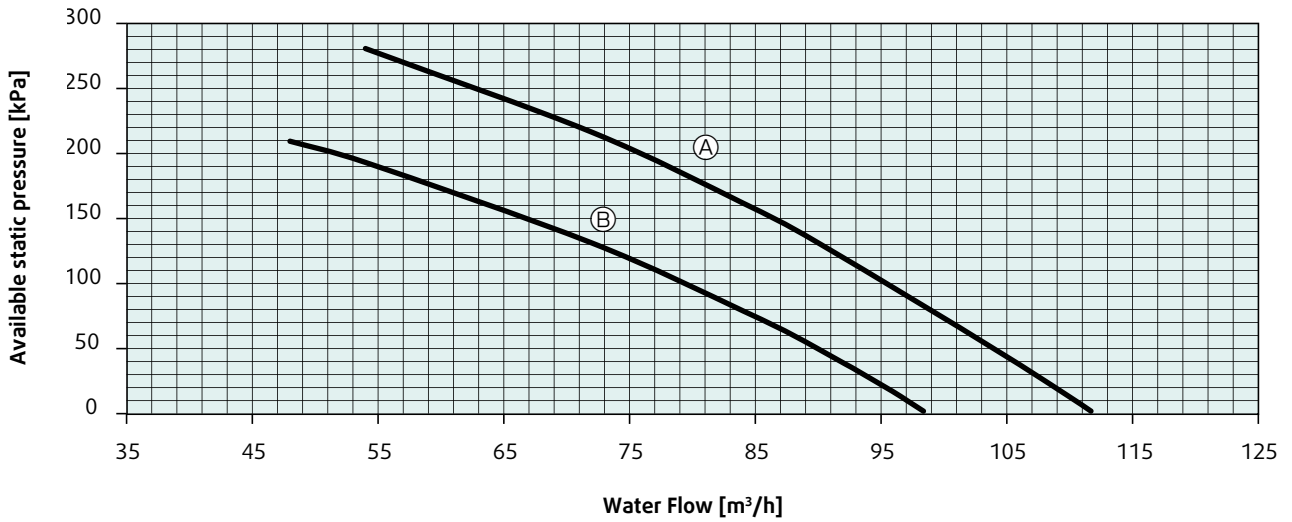
SYSCROLL 320 AIR CO



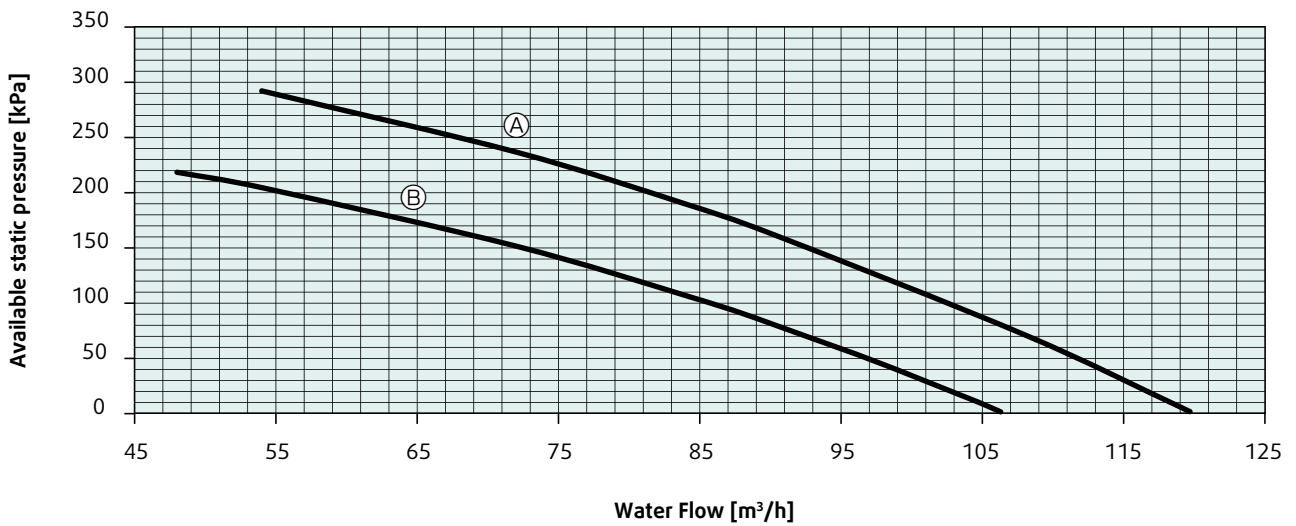
Curve A: High pressure.
Curve B: Low pressure.

Available pressure head - SYSCROLL AIR CO (continued)

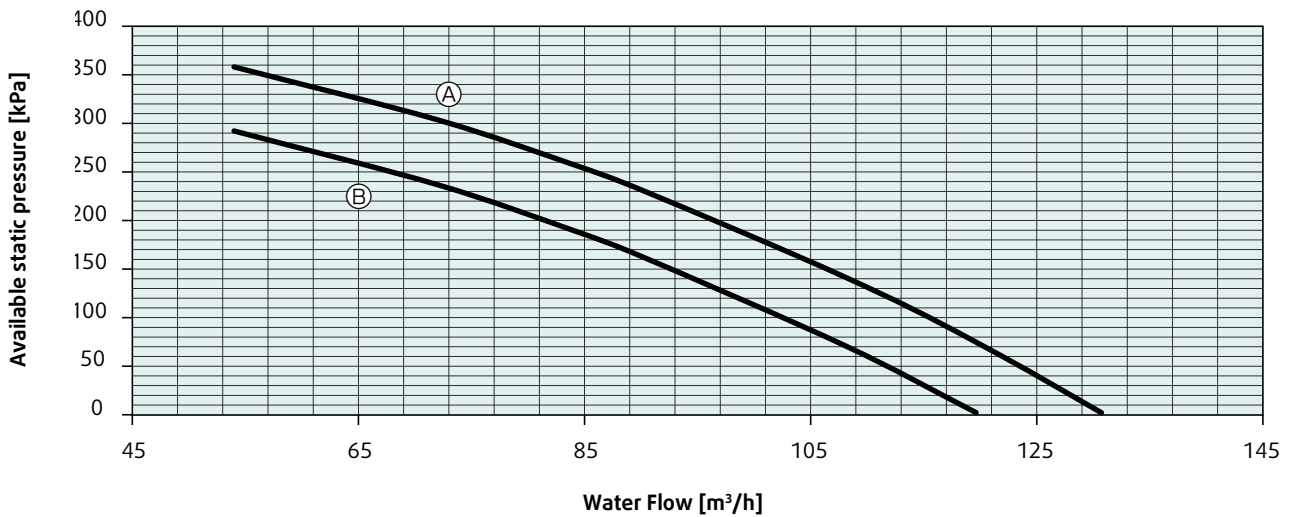
SYSCROLL 360-420 AIR CO



SYSCROLL 470 AIR CO



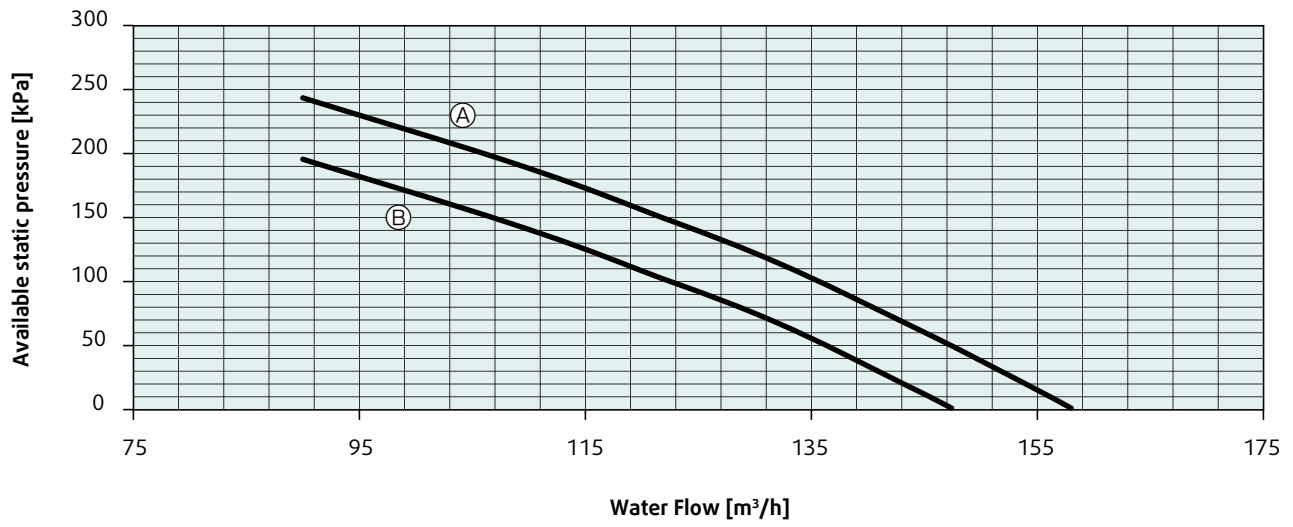
SYSCROLL 540 AIR CO



Curve A: High pressure.
Curve B: Low pressure.

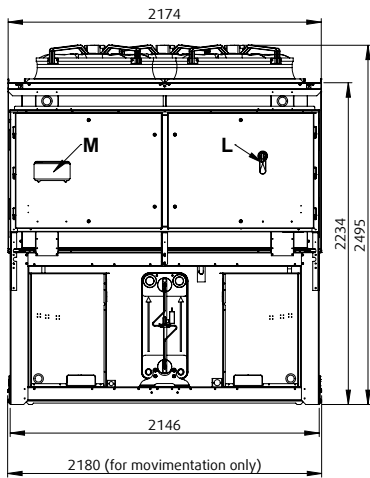
Available pressure head - SYSCROLL AIR CO (continued)

SYSCROLL 590-660 AIR CO

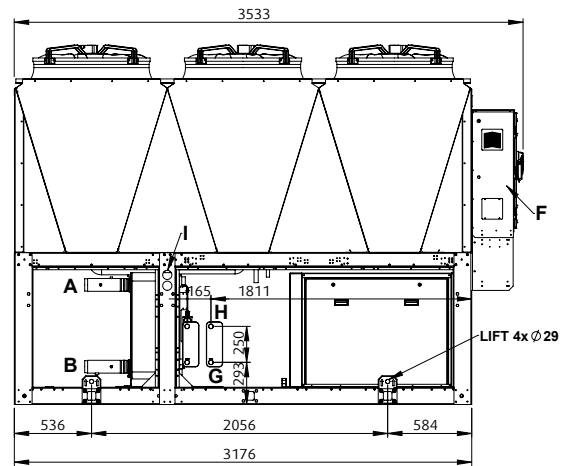


Dimensions SYSCROLL AIR 240-270-290-320

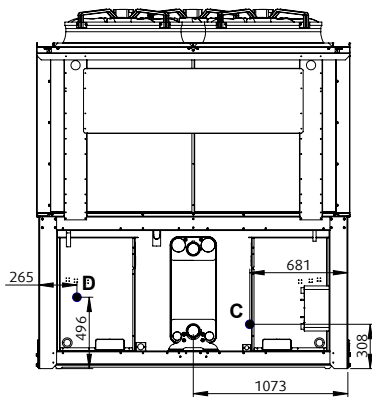
Front view



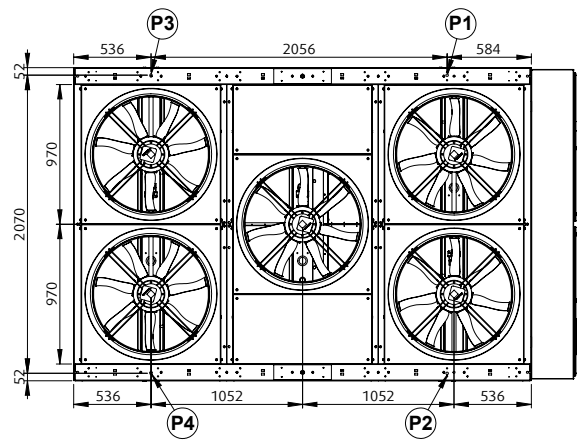
Side view



Back view



Top view



NOTES

- A B C D Water connections
- F Electrical power supply
- I Gauge kit (Accessory)
- L Main switch
- M Control keypad / display

OPTIONAL

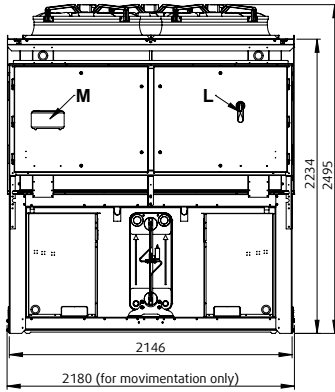
- G Desuperheater water inlet \varnothing 1" GAS M
- H Desuperheater water outlet \varnothing 1" GAS M

P1, P2, P3, P4 Anti-vibration mount position

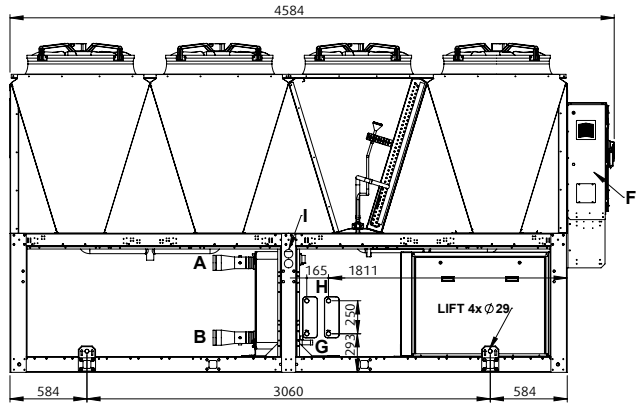
Hydraulic option	Water in	Water out	Size
STD	A	B	3" GAS M
1P/2P	C	D	
1PT/2PT	C	D	
DESUPERHEAT.	G	H	1" GAS M

Dimensions SYSCROLL AIR 360-420

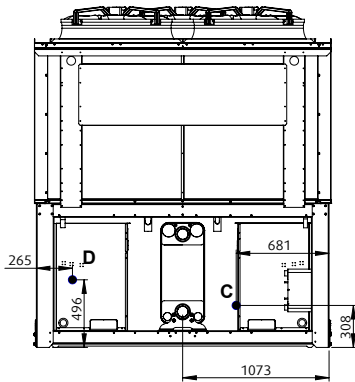
Front view



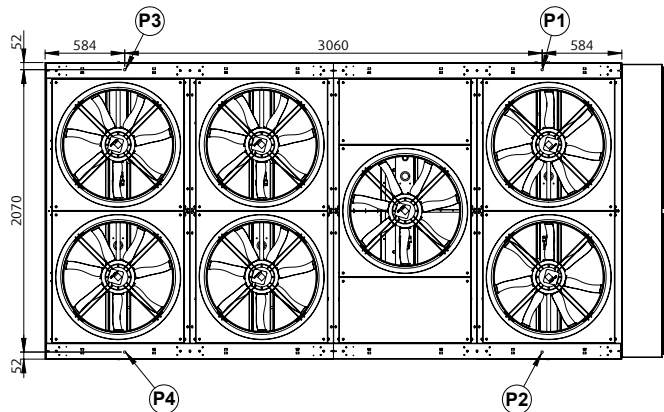
Side view



Back view



Top view



NOTES

- A B C D Water connections
- F Electrical power supply
- I Gauge kit (Accessory)
- L Main switch
- M Control keypad / display

OPTIONAL

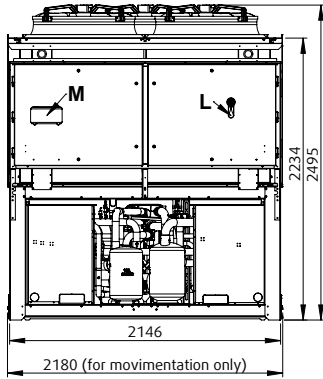
- G Desuperheater water inlet \varnothing 1" GAS M
- H Desuperheater water outlet \varnothing 1" GAS M

P1, P2, P3, P4 Anti-vibration mount position

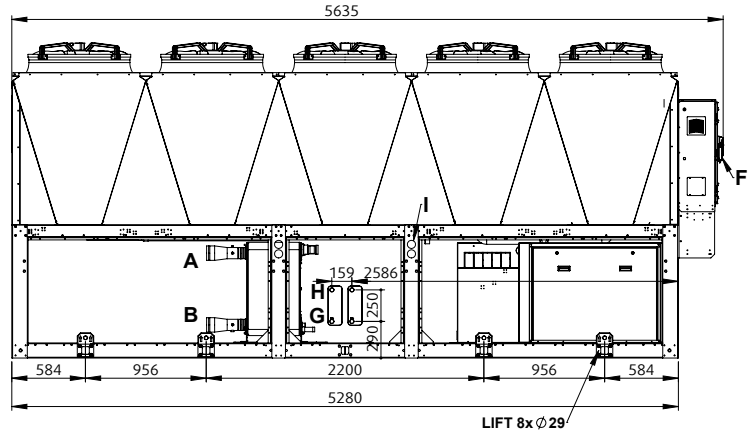
Hydraulic option	Water in	Water out	Size
STD	A	B	4" VICTAULIC
1P/2P	C	D	
1PT/2PT	C	D	
DESUPERHEAT.	G	H	1" GAS M

Dimensions SYSCROLL AIR 470-540

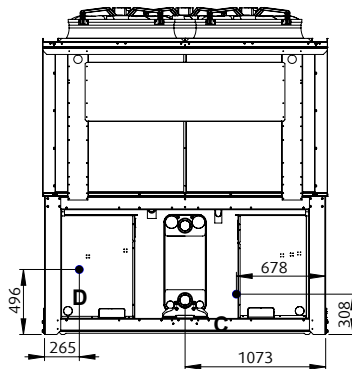
Front view



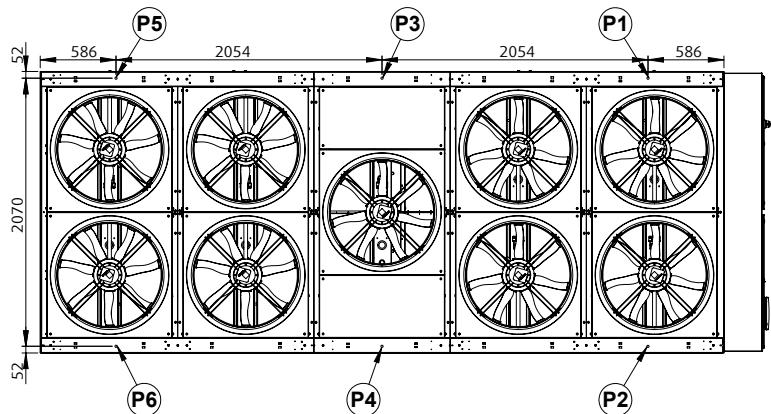
Side view



Back view



Top view



NOTES

- A B C D Water connections
- F Electrical power supply
- I Gauge kit (Accessory)
- L Main switch
- M Control keypad / display

OPTIONAL

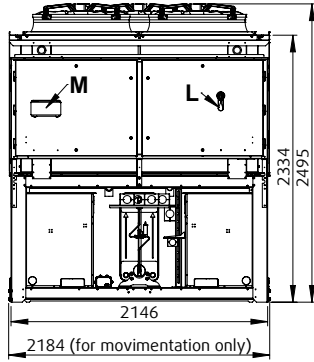
- G Desuperheater water inlet \varnothing 1" GAS M
- H Desuperheater water outlet \varnothing 1" GAS M

P1, P2, P3, P4, P5, P6 Anti-vibration mount position

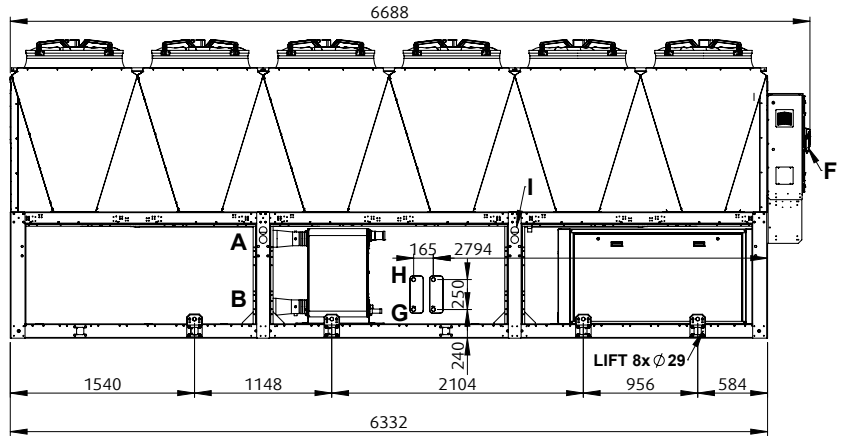
Hydraulic option	Water in	Water out	Size
STD	A	B	4" VICTAULIC
1P/2P	C	D	
1PT/2PT	C	D	1" GAS M
DESUPERHEAT.	G	H	

Dimensions SYSCROLL AIR 590-660

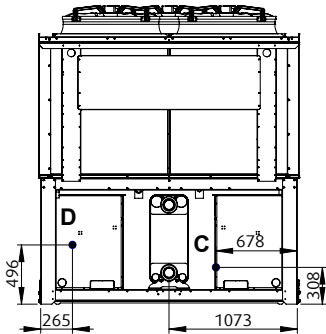
Front view



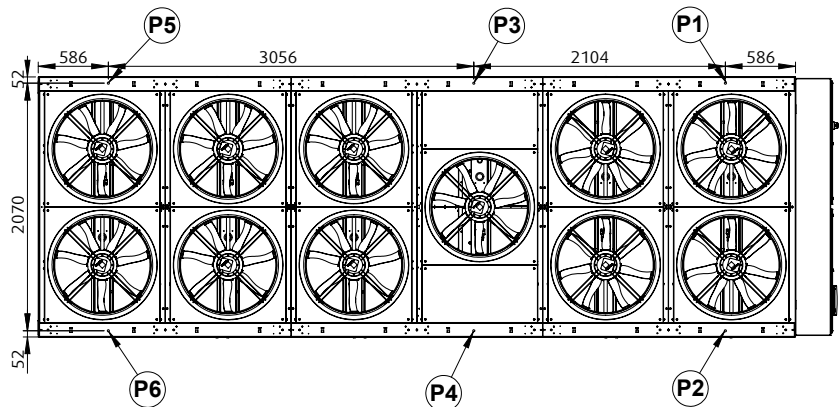
Side view



Back view



Top view



NOTES

- A B C D Water connections
- F Electrical power supply
- I Gauge kit (Accessory)
- L Main switch
- M Control keypad / display

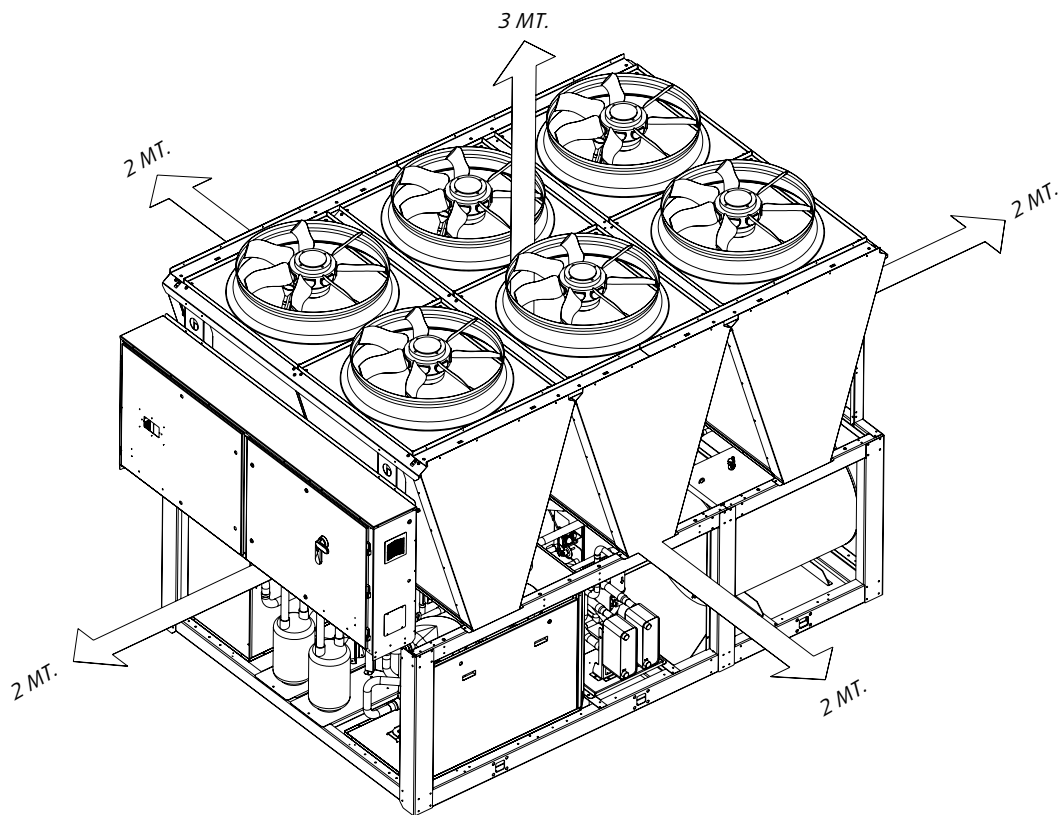
OPTIONAL

- G Desuperheater water inlet \varnothing 1" GAS M
- H Desuperheater water outlet \varnothing 1" GAS M

P1, P2, P3, P4, P5, P6 Anti-vibration mount position

Hydraulic option	Water in	Water out	Size
STD	A	B	5" VICTAULIC
1P/2P	C	D	
1PT/2PT	C	D	
DESUPERHEAT.	G	H	1" GAS M

Space requirements



Systemair srl
Via XXV Aprile, 29
20825 Barlassina (MB)
Italy

Tel. +39 0362 680 1
Fax +39 0362 680 693

info@systemair.it